



Service Manual

Washing machine

Frontloader

AWG 853

Model Version		Page
	AWG 853	
	8537 853 10000	
	Technical data	2
	Spare part list	3 - 4
	Exploded view	5 - 6
	Wiring diagram	7
	Circuit diagram	8
	Program diagram	9

Technical data

Dimension

Height	85	cm
Width	59.5	cm
Depth	33	cm

Weight

Gross	~55.5	kg
Net	~54	kg

Main connection

Voltage	230	V ± 10%
Frequency	50	Hz
Power Consumption	2200	W
Fuse rating	10	A

Drum data

Washing	46	rpm
Spinning	550 to 800	rpm

Capacity of dry laundry

Loading - washing max.	3.5	kg
------------------------	-----	----

Heating

Type	Tubular radiator	
- Rated power draft	1900	W
- Voltage	230	W

Motor

Type	Universal
------	-----------

Timer washing

Type	0797/4701
3 basic cycles	- normal washing - delicate washing - wool

Thermostat

A - fixed thermostat	90 ± 3	°C
B - Adjustable thermostat	Sensor NTC	

Pressostat (without laundry)

Wash level	~10.6 ± 1	l
Rinse level	~9 ± 1	l

Push button switch unit

Version with 5 buttons	- On/off - Rinse hold - Eco - Half load - Low/High speed
------------------------	--

Spare part list

Model AWG 853
Service No. 853785310000
Version 853785310000

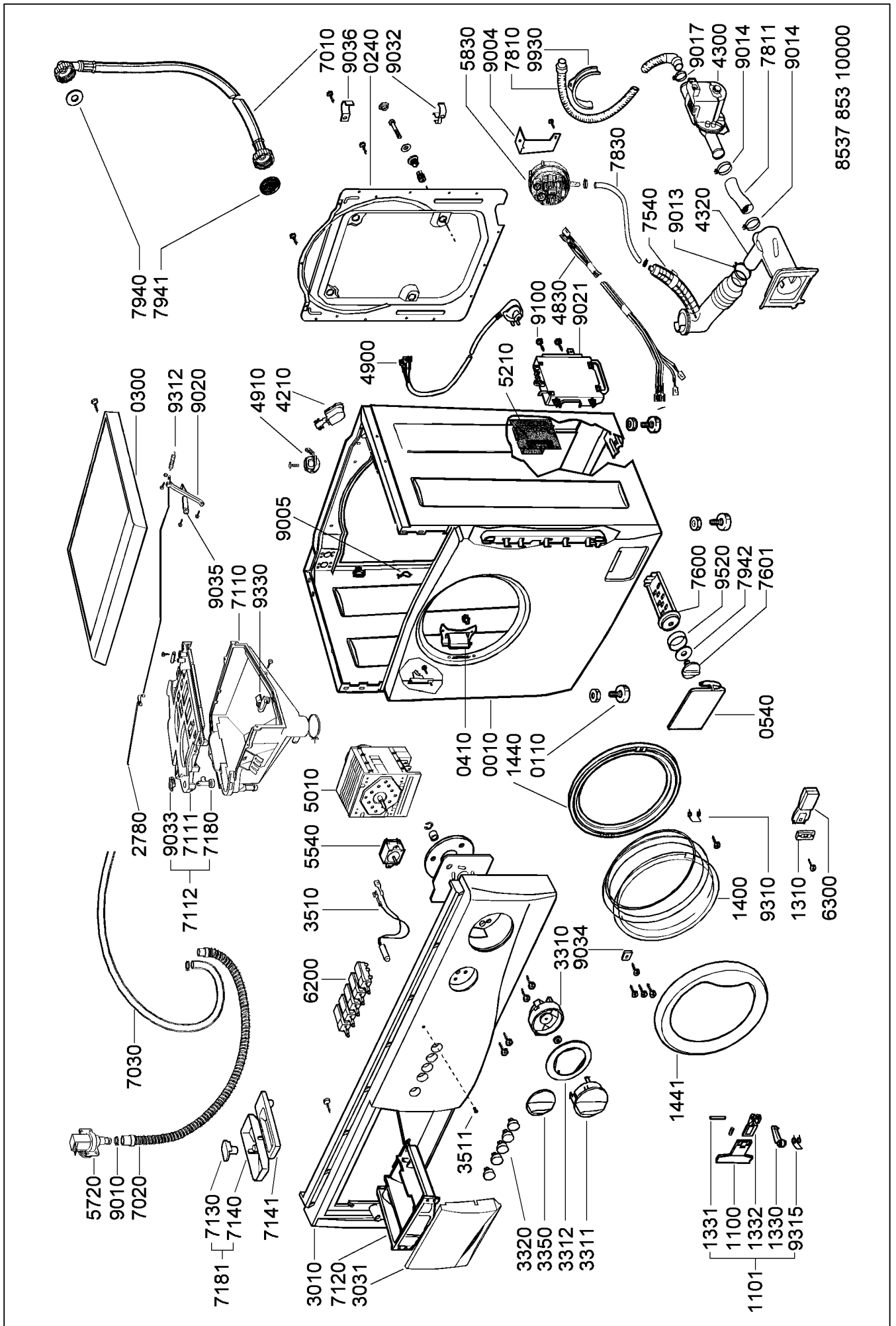
Pos. No.	12NC Code	Description	Pos. No.	12NC Code	Description
001 0	4812 440 10492	Cabinet	430 0	4812 360 18499	Pump,draining
003 0	4812 404 48778	Bearer hook crosspiece	432 0	4812 480 58106	Filter body
011 0	4819 462 47014	Foot adjustable	451 0	4812 259 28806	Heating element
024 0	4812 440 10322	Panel, rear	451 1	4812 466 38051	Heating element protection plate
030 0	4812 440 10493	Table top	483 0	4812 321 28411	Cable harness
041 0	4819 417 19534	Hinge	490 0	4812 321 18122	Cable,mains
054 0	4812 462 28312	Cover filter	491 0	4819 401 18738	Clamp
061 0	4812 466 88596	Counterweight upper	501 0	4812 328 18179	Timer
061 1	4812 466 88597	Counterweight bottom, up to 29/03	521 0	4812 214 58064	Unit electrical
061 1	4812 466 88755	Counterw. bottom 16.5 kg,from 30/03	551 9	4812 271 28445	Thermostat
083 0	4819 466 47003	Friction plate	554 0	4819 903 08226	Potentiometer
086 0	4819 492 68576	Spring	572 0	4812 281 18054	Valve,magnet cold water
086 1	4812 815 18546	Fastener upper counterweight	583 0	4812 271 28485	Pressostat
086 2	4812 815 18549	Fastener motor, up to 37/03	620 0	4819 276 38336	Switch on/off
086 3	4812 815 18547	Fastener bottom counterweight	630 0	4812 280 58028	Door lock
086 4	4812 815 18548	Fastener friction pad	701 0	4819 530 28932	Hose, inlet 1.5 m cold water
086 5	4812 904 48018	Friction pad unit	702 0	4812 526 48089	Hose, inlet inner
086 6	4812 418 18496	Tub kit, from 38/03	703 0	4812 530 29132	Hose air-break
086 7	4812 310 28269	Fastener kit motor from 38/03	708 4	4812 530 29041	Drainhose inner
110 0	4819 498 78431	Handle	711 0	4812 418 79751	Dispenser
110 1	4819 498 78432	Handle cpl	711 1	4812 462 28314	Cover dispenser
131 0	4819 903 10159	Lock Plate	711 2	4812 462 28313	Cover dispenser complete
133 0	4819 903 10175	Door latch	712 0	4819 418 78067	Drawer
133 1	4819 903 10174	Pin handle	713 0	4819 418 78989	Accessory deterg. fluid
133 2	4819 903 10176	Door catch lever	714 0	4819 418 78988	Container liquid detergent
140 0	4819 450 58178	Door glass	714 1	4819 418 78166	Tray bleach
143 0	4819 903 02494	Strap	718 0	4819 360 69853	Nozzle
144 0	4819 903 10179	Frame,door glas	718 1	4819 310 38651	Accessories liquid detergent
144 1	4812 416 18441	Frame,door glas	754 0	4812 530 29133	Drainhose
144 2	4819 532 88054	Collarring	760 0	4819 903 08151	Filter
190 0	4812 468 18103	Door bellows	760 1	4819 462 78861	Grip filter
200 0	4812 418 18356	Tub	781 0	4812 530 29045	Hose,draining
200 0	4812 418 18486	Tub from 38/03	781 1	4812 530 29134	Hose,connection filter-pump
201 0	4812 418 88985	Bottom Kit tub, up to 37/03	783 0	4819 530 28682	Hose
201 0	4812 418 89028	Bottom Kit tub, from 38/03	794 0	4819 903 04978	Gasket
204 0	4812 418 88988	Protector tub and cabinet	794 1	4819 310 38057	Gasket
210 0	4812 528 98012	Crosspiece,drum	794 2	4819 532 68309	Cover filter
220 0	4812 418 18358	Drum	900 1	4819 466 98528	Clamping piece
220 1	4812 418 18357	Drum with crosspiece	900 4	4812 404 38637	Holder pressostat
223 0	4812 418 88984	Drum lifter	900 5	4819 401 13349	Hook
271 0	4812 358 18174	Belt	901 0	4822 401 10258	Clamp,hose 10-18 mm
272 0	4812 528 88093	Pulley	901 3	4819 401 18351	Clamp,hose
278 0	4812 535 98091	Rod,pull dispenser	901 4	4819 401 18174	Clamp,hose 25-45 mm
291 0	4812 466 88598	Gasket tub	901 7	4819 401 18429	Clamp
301 0	4812 464 68286	Control panel	902 0	4819 903 02468	Lever
303 1	4812 498 78169	Handle drawer	902 1	4812 404 48777	Holder electronic
331 0	4812 412 58918	Knob,changeover timer	903 0	4819 492 68392	Clamp
331 1	4812 413 78645	Knob,timer	903 1	4819 903 02535	Silent bloc
331 2	4812 413 78646	Knob disc timer	903 2	4819 903 08165	Holder hose 1
332 0	4812 410 28854	Button,push	903 3	4819 903 02466	Lever
335 0	4812 412 58919	Knob thermostat	903 4	4819 903 10167	Door glass insert
351 0	4819 134 48496	Pilot lamp	903 5	4819 903 02469	Rocker
351 1	4812 381 18276	Lamp screen	903 6	4819 903 08162	Holder hose 2
401 0	4812 361 58338	Motor	910 0	4819 502 18353	Screw
421 0	4812 121 18212	Interf.filter	910 1	4819 502 18347	Screw

Spare part list

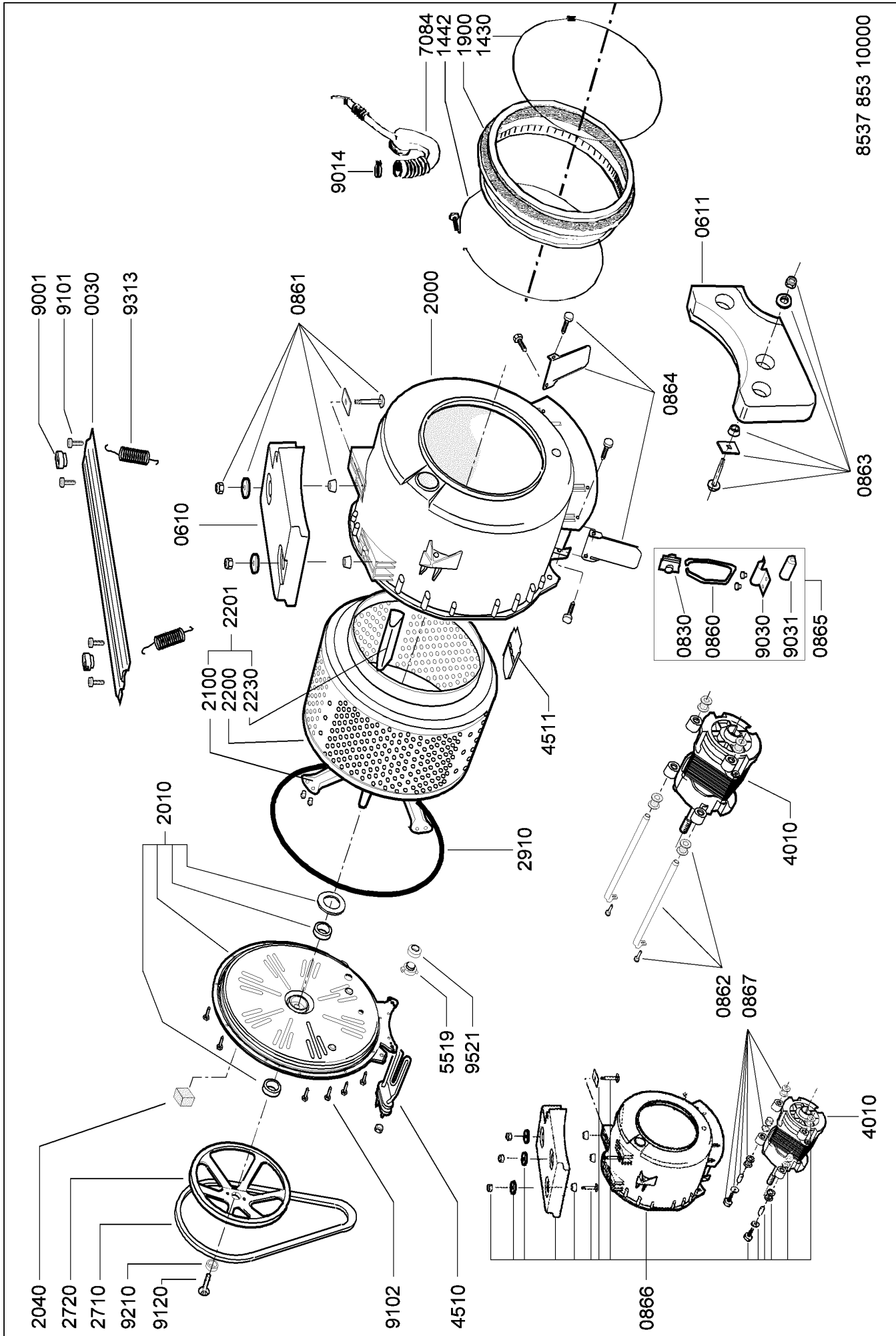
Model AWG 853
Service No. 853785310000
Version 853785310000

Pos. No.	12NC Code	Description
910 2	4812 502 18535	Screw
912 0	4812 502 18502	Screw pulley
921 0	4812 532 18062	Washer pulley
931 0	4819 903 10178	Spring
931 2	4819 903 02471	Spring
931 3	4812 492 38384	Spring,tension
931 5	4819 903 10172	Spring,ret.
933 0	4819 903 03659	Spring,tension
952 0	4819 466 69816	Gasket
952 1	4819 903 02447	Gasket thermostat
993 0	4819 401 18345	Bow

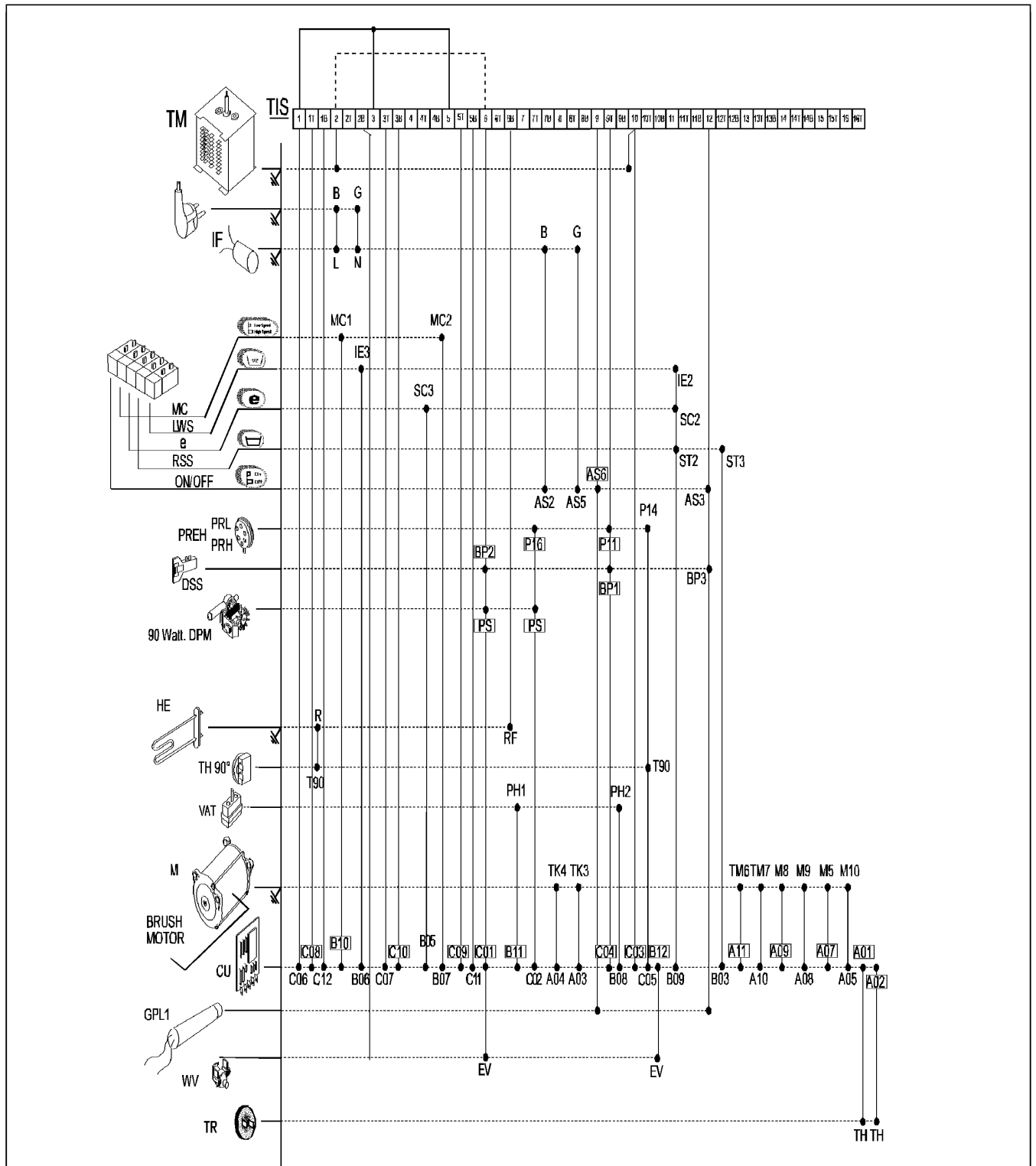
Exploded view



Exploded view

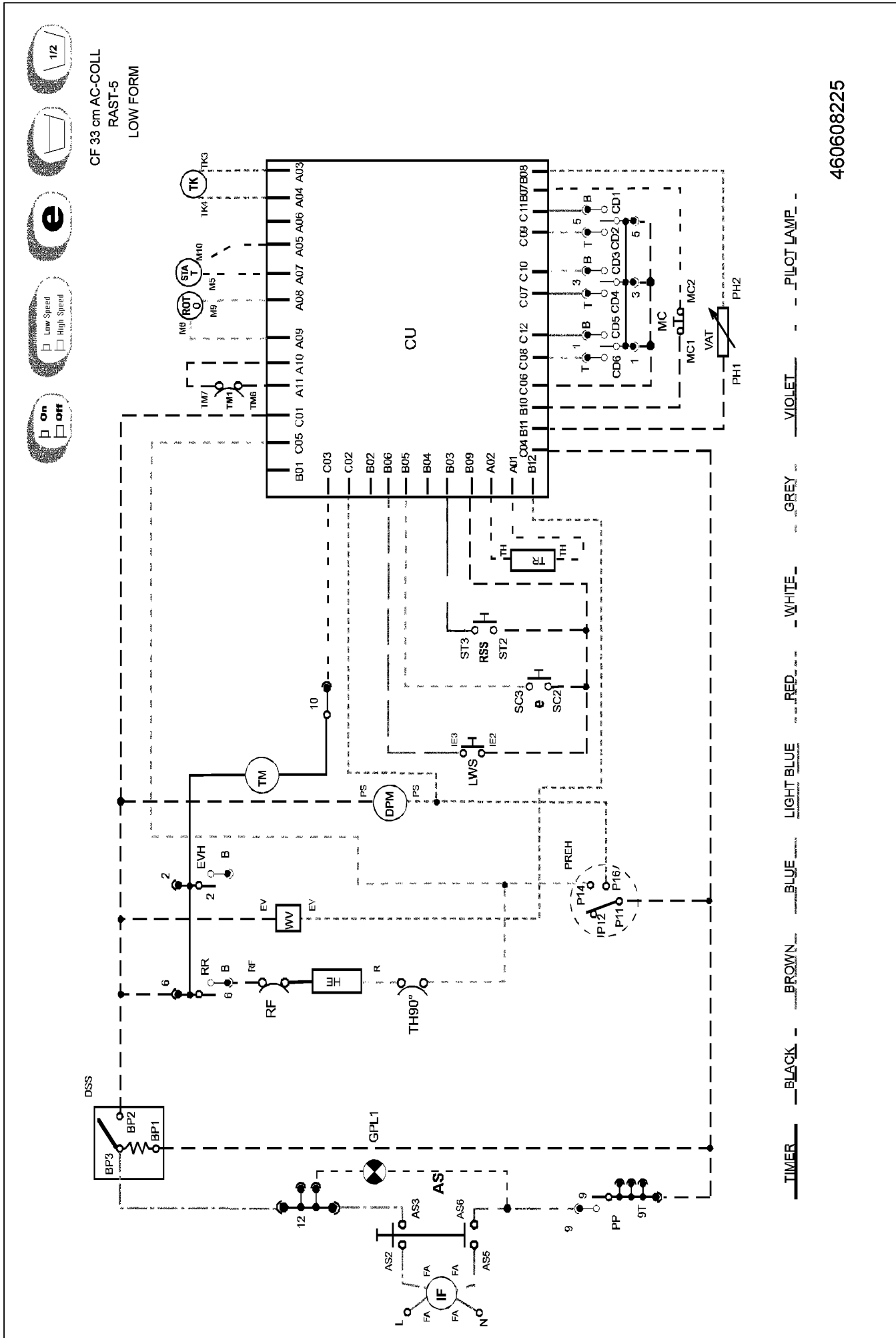


Wiring diagram



- | | | |
|------------------------------------|---------------------------------|-----------------------|
| TM Timer motor | WV Water valve | B Brown |
| EM Thermostat | CC Spin capacitor | G Blue |
| IF Interference filter | CL Wash capacitor | ⊥ Yellow-Green |
| RSS Spin delay button | HE Heating element | |
| SDE No spin button | RE Relay | |
| LWS Half load button | RF Heating protector | |
| e Eco button | AS ON - OFF button | |
| CWS Cold wash button | ER Extra rinse button | |
| PRL Low level pressostat | TH Fixed thermostat 90°C | |
| PRH High level pressostat | M Main motor | |
| WVC Water valve (cold fill) | SM Spin-dry motor | |
| WVV Water valve (hot fill) | WM Wash motor | |
| PREH Pressostat | CU Control unit | |
| DSS Micro delay switch | MC Low/high speed | |
| DPM Drain pump motor | GPL1 Pilot lamp | |
| VAT Variable temperature | GPL2 Door pilot lamp | |
| VSS Variable spin speed | | |
| TR Thermal resistivity | | |
| TK Tachometer | | |

Circuit diagram



460608225

