



Service Manual

Washing machine

Frontloader

AWG 324

Model Version		Page
	AWG 324	
	8537 324 10000	
	Technical data	2
	Spare part list	3
	Exploded view	4
	Wiring diagram	5
	Circuit diagram	6
	Program diagram	7

Technical data

Dimension

Height	85,0	cm
Width	59,5	cm
Depth	34,0	cm

Weight

Net weight	~ 63	kg
With package	~ 65	kg

General specifications

Voltage	230	V
Frequency	50	Hz
Connected load	~ 2,1	kW
Fuse	10	A

Drum data

Drum speed

Washing	70	rpm
Spinning hight	600	rpm

Volume

Capacity	max.4	kg dry laundry
----------	-------	-------------------

Electrical building parts

Heating

Type	Tubular radiator	
Rated power draft	1,75	kW
Mains Voltage	230	V

Drain pump

Power consumption	25	W
Capacity	~ 16	l/min
Rotation speed	3000	rpm
Height of drain hose	max.0,9	m
	min. 0,6	m

Motor

Type	ASINC. 2/16 poles
------	-------------------

Timer

Typ	2000/2004/975
The timer chart includes 3 basic programmes:	
	- normal washing
	- delicate washing
	- wool

Inlet valve

Water temperature max.	60	°C
Rated flow <1 bar	8	l/min
Pressure range	0,5-10	bar
Voltage	220-240	V
Frequency	50	Hz

Pusch button switch unit

Version with 4 buttons having	
switches for	- ON / OFF
	- Half load
	- Spin exclusion
	- Spin delay

Thermostat

A - a fixed thermostat	38 ± 3	°C
B - a thermostat	0/90 ± 3	°C

Pressostat

Quantity of water at switching point without laundry		
Low level	~ 6	l
High level	~ 16,5	l

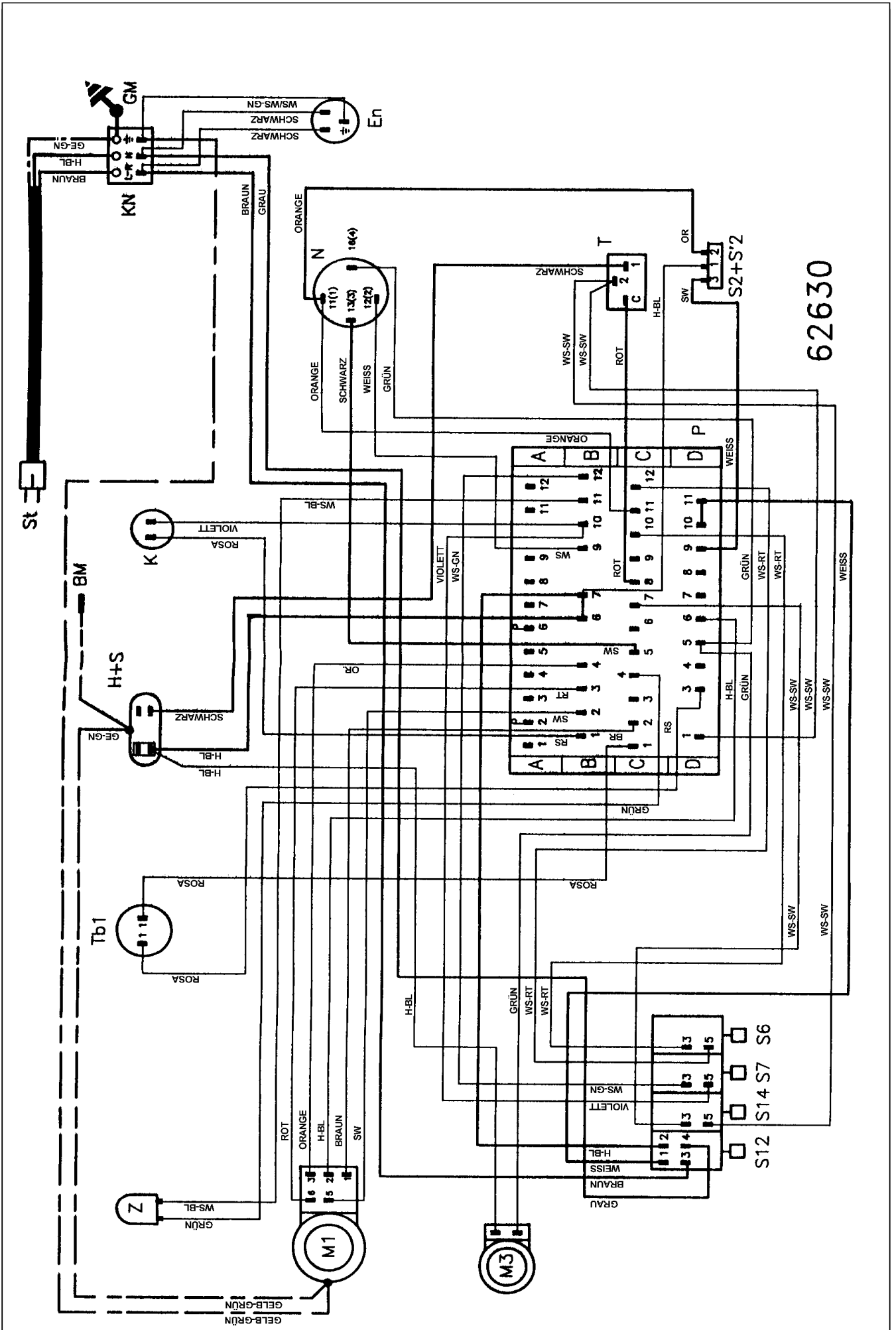
Spare part list

Model AWG 324
Service No. 853732410000
Version 853732410000

Pos. No.	12NC Code	Description
001 0	4819 440 19801	Cabinet
013 0	4819 462 58273	Foot
030 0	4819 440 19831	Table top
040 0	4819 417 19367	Hinge window
053 0	4819 440 19646	Plinth
061 0	4819 466 89406	Counter weight rear
061 1	4819 466 99084	Counter weight front
080 0	4819 529 18113	Shock absorber
084 0	4819 466 99083	Bracket f. Spring
086 0	4819 466 89369	Clamp,fixation
110 0	4819 417 58129	Door catch
110 1	4819 498 69888	Handle
141 0	4819 468 18224	Door bellow
143 0	4819 440 19832	Window
190 0	4819 440 19803	Ring
190 1	4819 532 88043	Ring f.door bellow
190 2	4819 401 18723	Tension tape
200 0	4819 418 18337	Tub
200 1	4819 404 79251	Bracket
200 2	4819 466 89367	Ring Tub
200 3	4819 417 58139	Clamping piece
210 0	4819 404 79252	Crosspiece
220 0	4819 418 18338	Drum
220 1	4819 418 18336	Tub cpl.
228 0	4819 535 78155	Crosspiece,drum
271 0	4819 358 18146	Belt
272 0	4819 528 88114	Pulley
292 0	4819 468 18225	Gasket tub
301 0	4819 453 19874	Control panel
303 0	4819 498 78229	Grip
321 0	4819 460 78515	Insert panel
321 1	4819 460 78516	Insert
321 2	4819 460 78533	Batten
331 0	4819 412 58609	Knob Temp.
331 1	4819 535 18127	Shaft timer knob
331 2	4819 535 18128	Shaft temp.knob
332 0	4819 410 28918	Button
335 0	4819 412 58611	Knob,timer
341 0	4819 532 28275	Index,programm
401 0	4812 361 58347	Motor
420 0	4819 121 18214	Capacitor
421 0	4819 121 18213	Interf.filter
430 0	4819 360 18252	Pump,draining
451 0	4819 259 28878	Heating element
481 0	4819 320 58329	Cable
490 0	4819 321 18284	Cable Supplay
491 0	4819 290 68395	Connect.block
501 0	4819 282 18638	Timer
501 1	4819 404 79312	Holder
551 4	4819 282 28678	Thermostat
554 0	4819 271 28972	Thermostat
571 0	4819 281 28263	Valve,magnet
583 0	4819 271 28971	Pressostat
620 0	4819 410 28636	Switch,pushbut.
621 0	4819 276 18262	Switch,pushbut. on/off

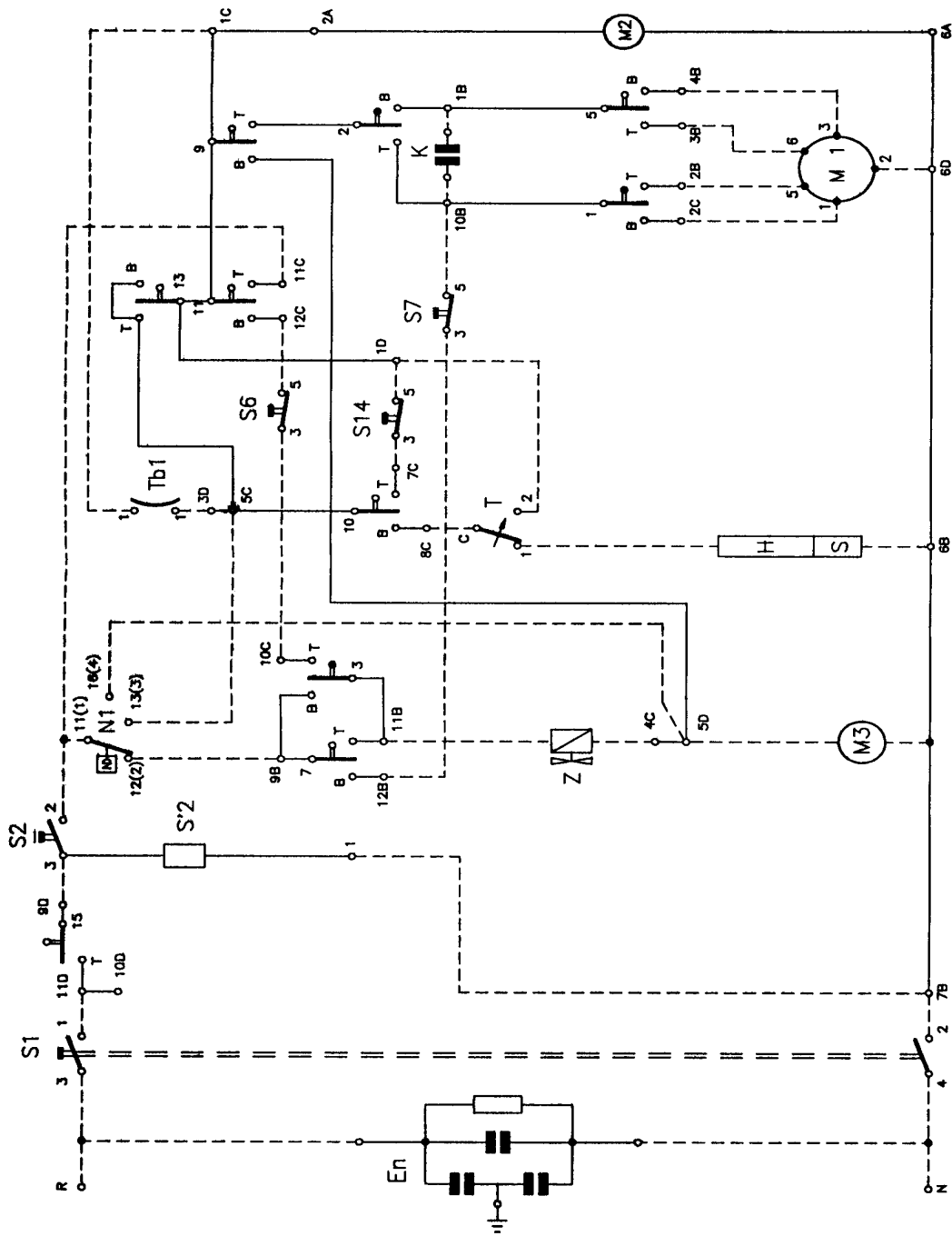
Pos. No.	12NC Code	Description
630 0	4819 690 18139	Door lock
701 0	4819 530 28882	Hose, inlet
702 0	4819 530 28981	Hose
707 0	4819 360 69626	Spray arm
708 1	4819 529 18114	Hose
711 0	4819 418 79484	Container
711 1	4819 462 38831	Rail
711 2	4819 535 98608	Nock
711 3	4819 535 98607	Nock
711 4	4819 418 79485	Cover
712 0	4819 418 79486	Soap dispenser cpl.
713 0	4819 440 19804	Panel
717 2	4819 535 98625	Rod left
717 2	4819 535 98627	Rod right
717 3	4819 466 99086	Actuator
717 5	4819 528 38446	Cam
718 1	4819 462 79935	Cover
754 0	4819 530 29009	Drainhose cpl.
754 1	4819 529 28196	Hose
781 0	4819 530 28982	Pipe,exhaust
783 0	4819 530 29011	Hose
787 0	4819 529 18116	Hose
794 7	4822 480 50121	Gasket + filter
901 2	4819 401 18804	Strap
910 0	4819 502 18446	Screw M10x26
910 1	4819 502 18447	Screw M8x25
910 5	4819 502 18448	Screw M8x45
931 0	4819 492 38143	Spring Suspension
931 1	4819 492 38142	Spring,wire
941 0	4819 520 28032	Bearing
941 1	4819 520 28033	Bearing
952 0	4819 532 68716	Shaft seal f.thermostat
953 0	4819 532 68802	Shaft seal
962 2	4819 466 89368	Support

Wiring diagram



Circuit diagram

62629



- | | | | |
|---------|--------------------------|----------|---------------------------|
| BM | EARTH BASE | N1 | LOW LEVEL PRESSURE SWITCH |
| En | ANTI INTERFERENCE FILTER | P | TIMER |
| GMI | EARTH CABINET | S1 | PUSH-PULL |
| H/H + S | HEATING ELEMENT / | S2 | PORTHOLE DOOR MICROSWITCH |
| K | HEAT. ELEM. + SAFETY | S2 + S'2 | MICROSWITCH + PORTHOLE |
| KN | CAPACITOR | S6 | DOOR SAFETY |
| M1 | MAINS TERMINAL | S7 | ECONOMISER BUTTON |
| M2 | TIMER MOTOR | S12 | SPINNING EXCLUSION BUTTON |
| M3 | DRAINING PUMP | S14 | ON / OFF BUTTON |
| N | PRESSURE SWITCH | T | STOP WITH WATER BUTTION |
| | | Tb1 | ADJUSTABLE THERMOSTAT |
| | | Z | THERMOSTAT 38°C |
| | | | ELECTRIC VALVE |

