

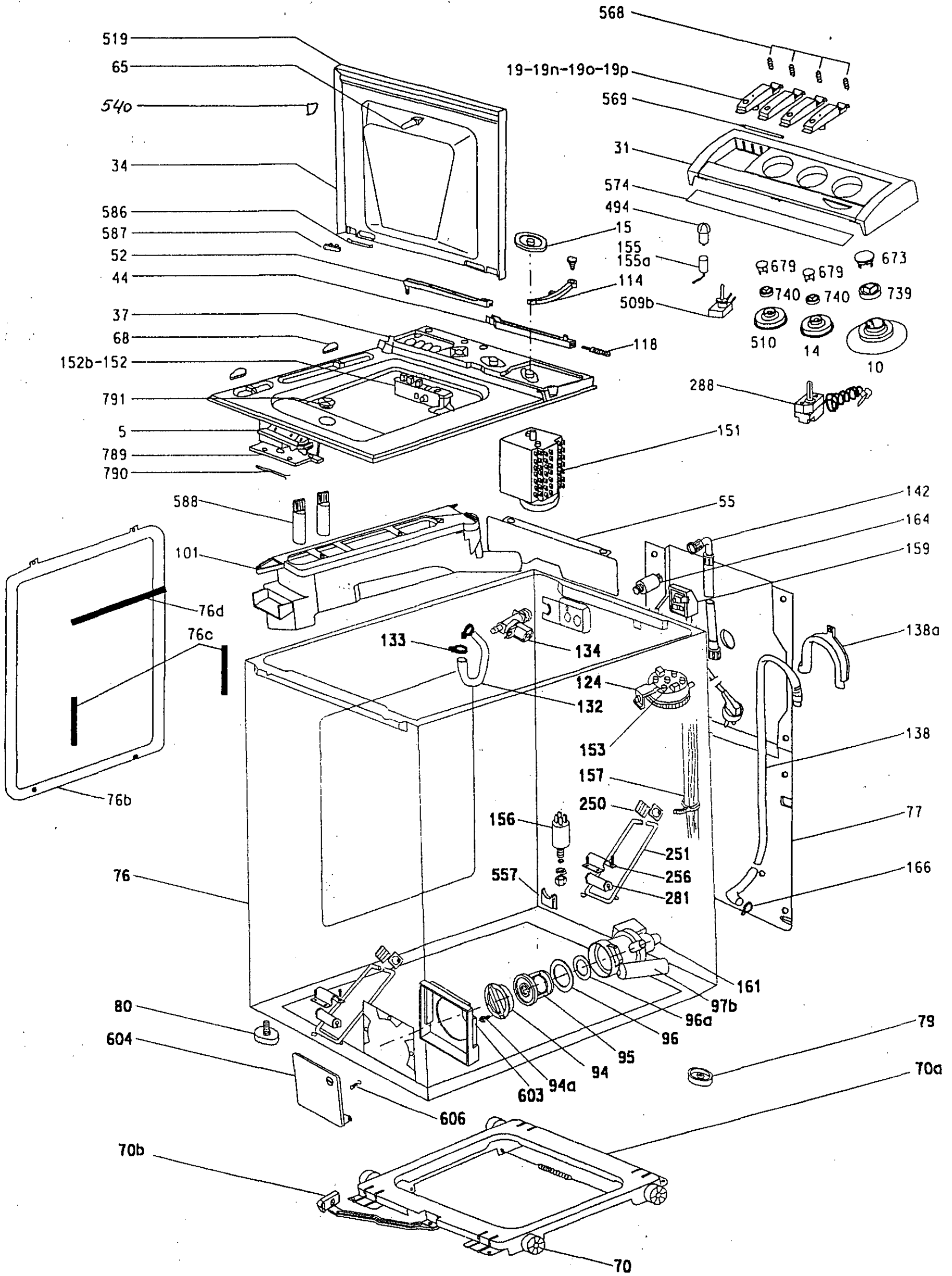


Assistenza Tecnica After Sales Service Service Apres Vente Kundendienst Servicio Post-Venta

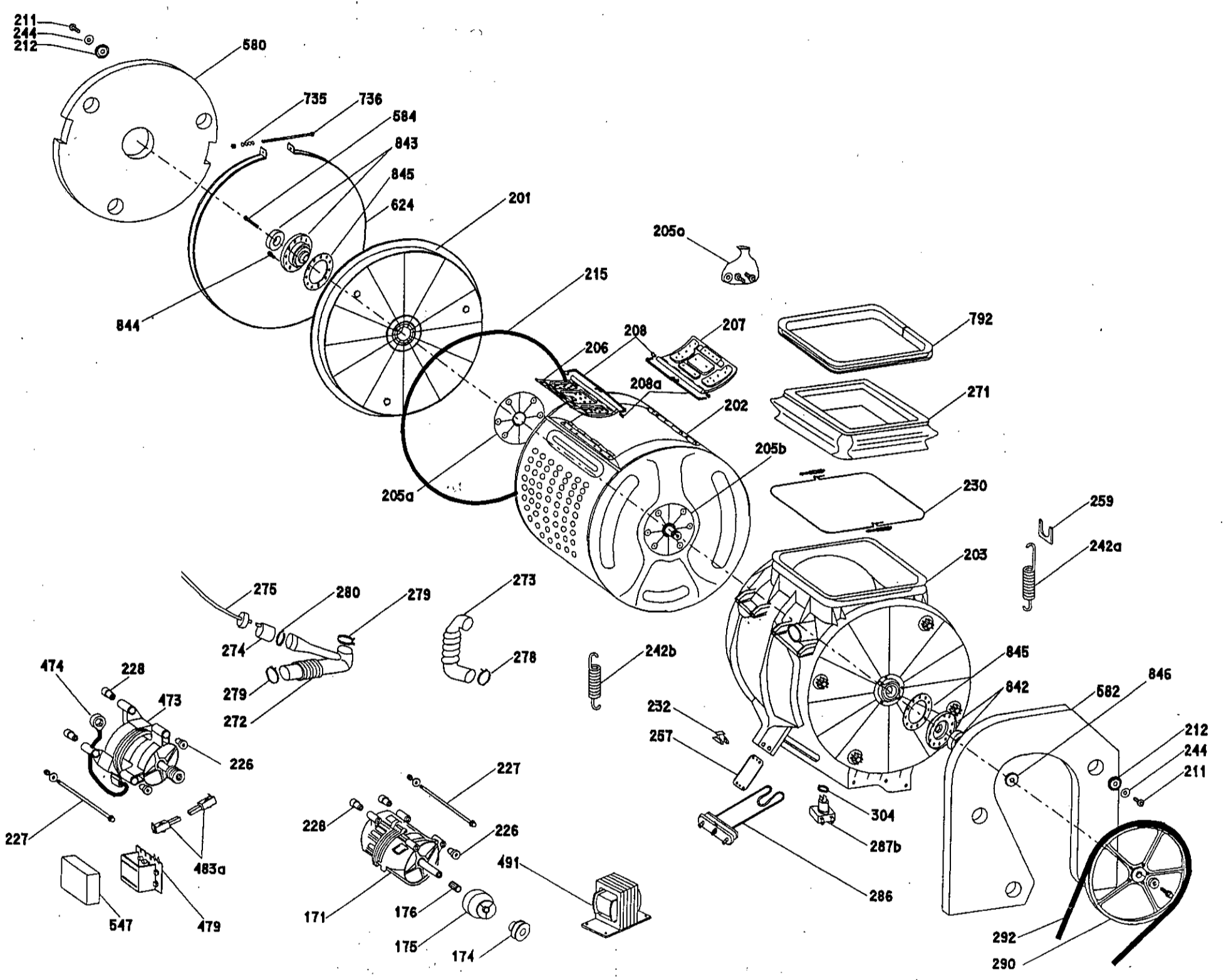
**Otsein** 

**37501855 LT813**

**Service Manual**



A2



000559



**Mod: 37501855 LT813 9540 (02/10/1995)**

Ref.	Descrizione - Description - Beschreibung - Descripcion	Ricambio Part No. Piece E-Teil Pieza	Inizio Beginning Debut Begin Inicio	Fine Ending Fin End Fin
5	Door safety device	80001407		
10	Timer/select. knob	80002082		
14	Temp.regulation knob	80002066		
15	Cam disc	92134956		
19m	Simple push button	80001928		
19o	Button with control lamp	80001969		
31	Control panel	80001985		
34	White cover	80002611		
37	Upper shelf	80001886		
44	Direction control rod	92673946		
52	Direction control rod	92134964		
55	Insulating side	92943547		
65	Door catch	80001951		
68	Plug	92137298		
70	Trolley wheel	80001795		
70a	Chassis assy with wheels	80012917		
76	Cabinet assy	80002603		9719 (05/05/1997)
76	Cabinet assy	80036528	9719 (05/05/1997)	
76b	Cabinet side cover	80007347		
76c	Cabinet side cover gasket	80007180		
76d	Cabinet upper cover gaske	80007826		
77	Rear panel	80000318		9719 (05/05/1997)
77	Rear panel	80034564	9719 (05/05/1997)	
79	Rear foot	92606474		
80	Front foot	92692300		
94	Filtert knob	92615285	9719 (05/05/1997)	
94a	Bolt	92415140	9719 (05/05/1997)	
95	Filter cartridge	92945468	9719 (05/05/1997)	
96	Gasket	80001555		9719 (05/05/1997)
96	Gasket	92606391	9719 (05/05/1997)	
96a	Gasket	92607639	9719 (05/05/1997)	
97	Filter housing	80002777		9719 (05/05/1997)



**Mod: 37501855 LT813 9540 (02/10/1995)**

Ref.	Descrizione - Description - Beschreibung - Descripcion	Ricambio Part No. Piece E-Teil Pieza	Inizio Beginning Debut Begin Inicio	Fine Ending Fin End Fin
97b	Filt.hous.without recycle	92132109	9719 (05/05/1997)	
101	Dispenser drawer	80029242		
114	Driving lever	92673870		
118	Spring	80001183		
124	Press.fixing plate	80000342		
132	Valve hose cold water	80034770		
133	Hose clip	80034762		
134	Solenoid valve	90450750		
138	Drain hose	80002231		9719 (05/05/1997)
138	Drain hose	80034556	9719 (05/05/1997)	
138a	Drain house elbow	80001787		
142	Fill hose	80001688		
151	Timer	80015456		
152b	4 push buttons key board	92125806		
153	Pressure switch	80001340		
155a	White indicator light	80007743		
155a	White indicator light	80013006		
157	Harness	80018344		
161	Drain/recycle pump	80001324		9719 (05/05/1997)
161	Drain/recycle pump	80033772	9719 (05/05/1997)	
164	Anti jamming filter radio	80001399		
166	Hose clip	80001126		
201	Front flange	80002801		9721 (22/05/1997)
201	Front flange	80035132	9721 (22/05/1997)	9810 (03/03/1998)
201	Front flange	80035108	9810 (03/03/1998)	
202	Drum	80002637		9721 (22/05/1997)
202	Drum	80035249	9721 (22/05/1997)	9810 (03/03/1998)
202	Drum	80035124	9810 (03/03/1998)	
203	Tub	80002793		9721 (22/05/1997)
203	Tub	80035157	9721 (22/05/1997)	9810 (03/03/1998)
203	Tub	80035140	9810 (03/03/1998)	
205a	Right drum shaft assy	80000516		
205b	Left drum shaft assy	80000508		9721 (22/05/1997)
205b	Left drum shaft assy	80032683	9721 (22/05/1997)	9810 (03/03/1998)
205b	Left drum shaft assy	80032584	9810 (03/03/1998)	
205c	Drum shaft fixing kit	81448136		



**Mod: 37501855 LT813 9540 (02/10/1995)**

Ref.	Descrizione - Description - Beschreibung - Descripcion	Ricambio Part No. Piece E-Teil Pieza	Inizio Beginning Debut Begin Inicio	Fine Ending Fin End Fin
206	Rolling shutt withou hook	80024920		
207	Rolling shutter with hook	80024912		
208	R/H spring	80010242		
208a	L/H spring	80010259		
211	Bolt	80000946		
212	Asbestos washer	80000755		
215	Tub gasket	80018989		
227	Motor stay bolt	80000995		
228	Shock absorber bearing	80001647		
228a	Pulley bearing	80001639		
230	Tub gasket clip	92787316		
232	Heater holder	92675891		
242a	R/H support spring	80002306		
242b	L/H support spring	80002298		
244	Washer	80000664		
250	Damper pads	92697838		
251	Shoch absorber spring	80002322		
256	Clamp	92851302		
257	Damper slide	92863976		
259	Support	92673961		
271	Door gasket	80007818		
272	Discharge pipe	80001571	9719 (05/05/1997)	9719 (05/05/1997)
272	Discharge pipe	80033939		
273	Fill pipe	80001589		
274	Pressure switch air chamber	80001845		
275	5x8 hose	80001613		
281	Shock Absorder grommet	92606227		
286	Heater	80023609		
287b	Thermostat (30/90)	92216498		
288	Temperature regulator	80008394		
290	Drum pulley	80000482		9721 (22/05/1997)



**Mod: 37501855 LT813 9540 (02/10/1995)**

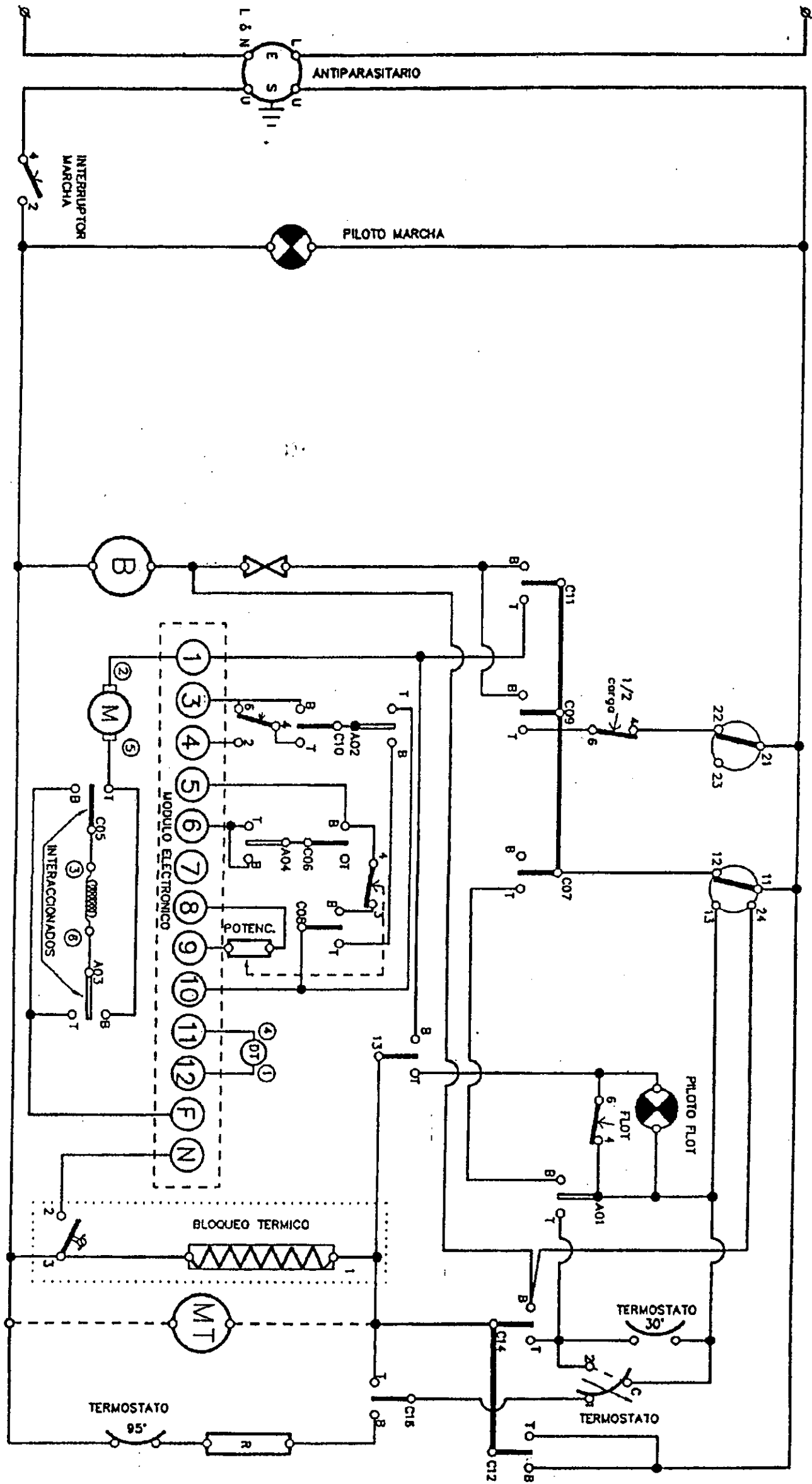
Ref.	Descrizione - Description - Beschreibung - Descripcion	Ricambio Part No. Piece E-Teil Pieza	Inizio Beginning Debut Begin Inicio	Fine Ending Fin End Fin
290	Drum pulley	80036577	9721 (22/05/1997)	
292a	Extensible belt	80001704		
304	Gasket	80015936		
473	Commutator motor	80029390		
479	Electronic control	80028202		
483a	Brush with brush holder	80019169		
491	Mains cable	80001530		
509b	T/NO regul potenziometer	92225127		
510	Potentiometer knob	80002124		
519	Handle	80006885		
540	Door stop	80013295		
547	Module protection	80001746		
568	Spring for push.button	92483916		
569	Pin for push buttons	80000557		
574	Transparent program plate	80002025		
580	Front counterweight	80001720		
582	Pulley side count.weight	80001738		
584	Drum support fixin screw	80001191		
586	Counter cover pin	92730696		
587	Counter cover stopper	92137306		
588	Siphon	92134972		
604	Filter door	80011828		
606	Spring for filter door	80002264		
624	Tire for tightening tub	80018666		
673	Timer knob cover	80002108		
679	Knob cover	80001910		
735	Clousure ring spring	80002314		
736	Clousure ring screw	80001035		
739	OR timer knob	90454182		
740	OR thermostat knob	90454349		
789	Door safety device bracke	80000466		

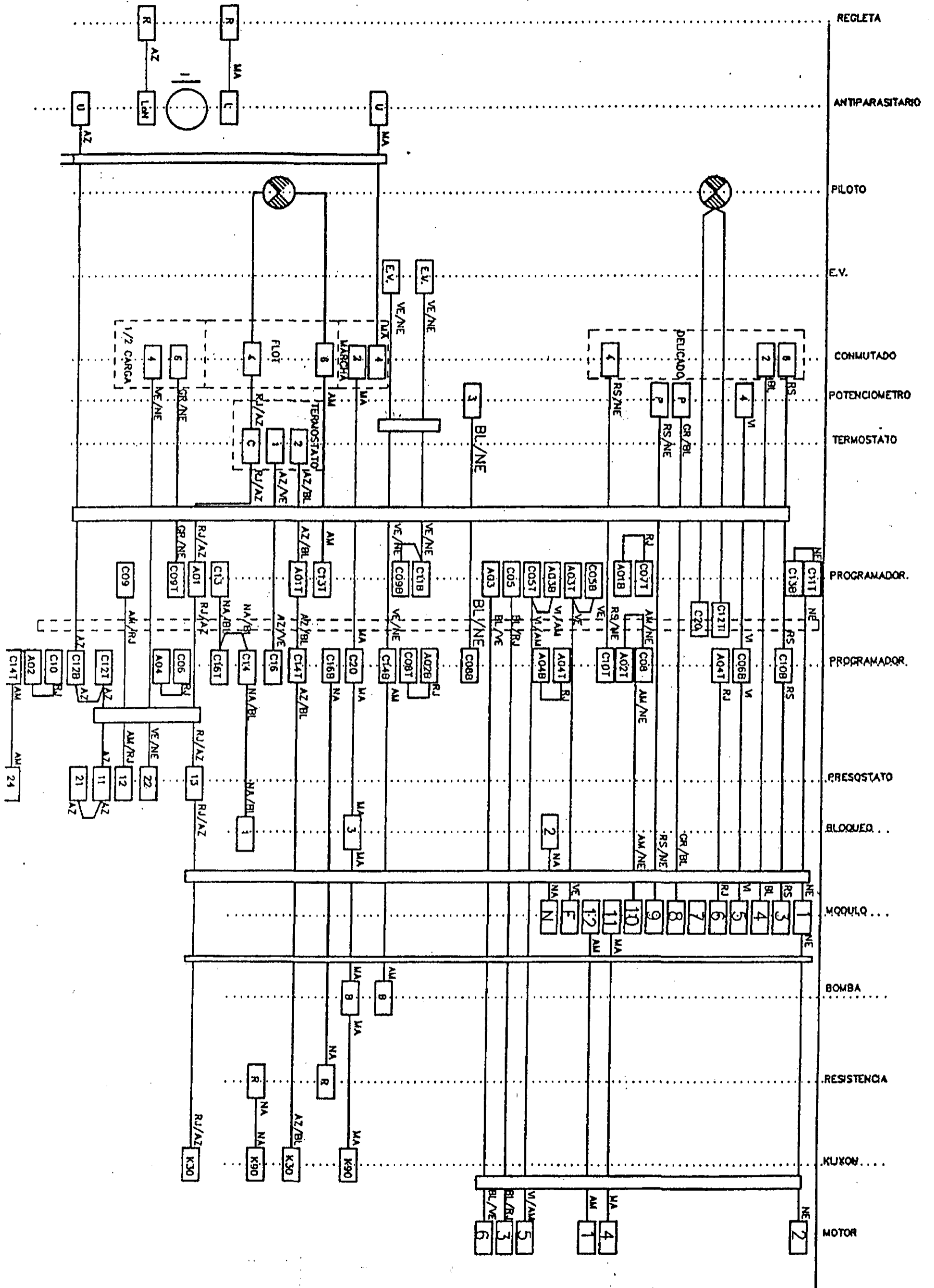


**Mod: 37501855 LT813 9540 (02/10/1995)**

Ref.	Descrizione - Description - Beschreibung - Descripcion	Ricambio Part No. Piece E-Teil Pieza	Inizio Beginning Debut Begin Inicio	Fine Ending Fin End Fin
790	Door safety device spring	80031784		
792	Gasket support	80027261		
828b	Tach.coil	80032121		
839	Clip	80001142		
842	Tub bearing disk	80037468	9810 (03/03/1998)	
843	Flange bearing disk	80037484	9810 (03/03/1998)	
999	Wiring diagram	80004427		





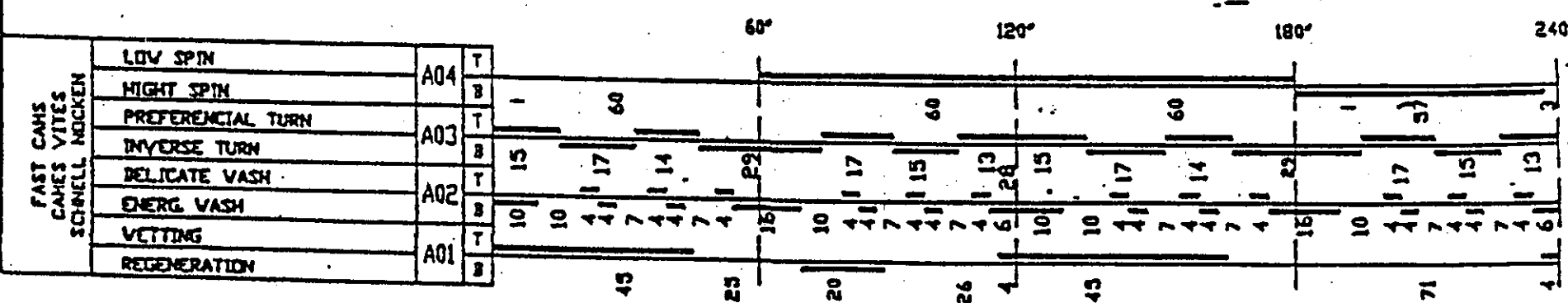
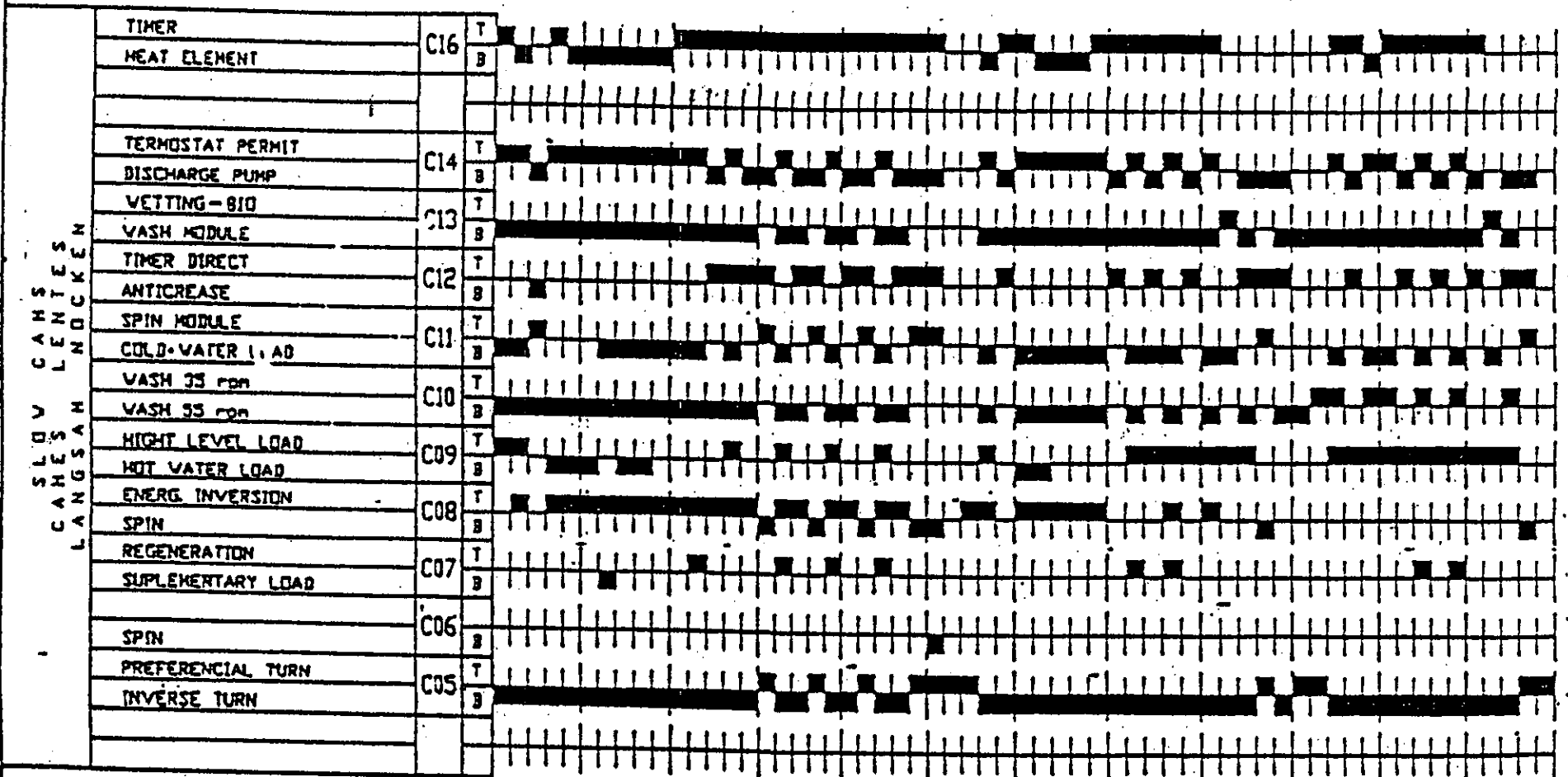


000567

80004427

PROGRAM NUMBER	01	02	03	04	05	06	07	08	09	10	11	12	13	14	15	16	17	18
WATER LOAD (INLET VALVE) LV	HH	CC	CH	HH	HH	HH	HH	HH	HH	HH	HH	HH	HH	HH	HH	HH	HH	HH
SUPPLEMENTARY LOAD		E																
LEVEL	NI	L	L	L	L	L	L	L	L	L	L	L	L	L	L	L	L	L
REGENERATION						G			G	G	G							
WATER IN TUR (ANTICREASE)		P												P				
HEAT ELEMENT	T	T	T	T	T	T	T	T	T	T	T	T	T	T	T	T	T	T
RHYTHM	D	F	F	F	F	F	F	F	F	F	F	F	F	F	F	F	F	F
DISCHARGE (PUMP)	S						S	S	S	S	S	S	S	S	S	S	S	S
SPIN							2	2	2	2	2	2	2	2	2	2	2	2

PROGRAMS DURATIONS



**DIAGRAMMA TIMER**      **COD. 8001545.6**