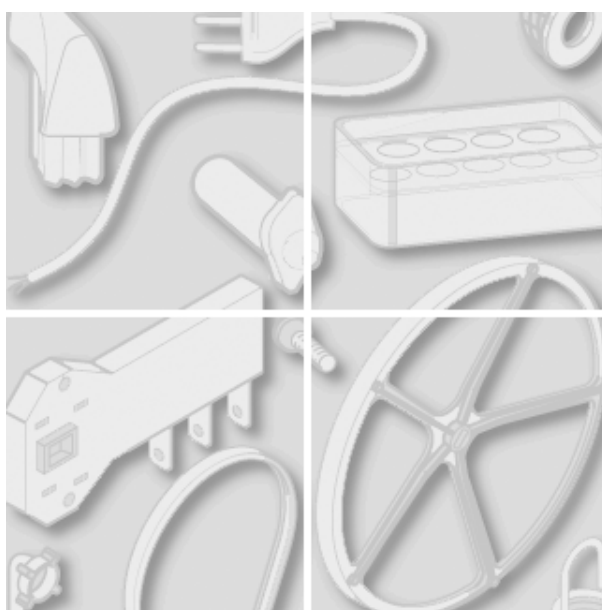


Indesit Company



Model type:

AI858CTX

Commercial code:

00119

General notes

Technical Documentation guidelines

You can find herewith some generic information to simplify consulting of technical documentation:

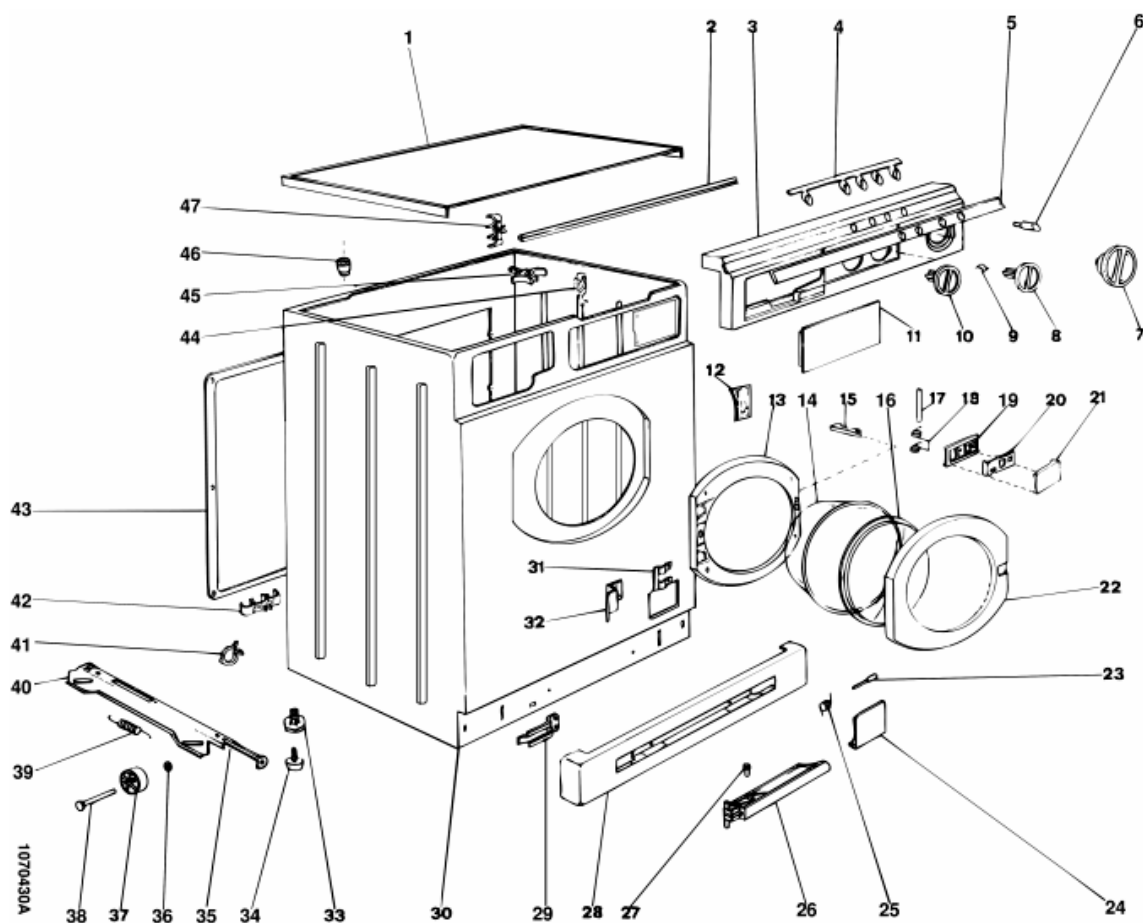
1. Models of same range share the same exploded views, which report the richest set of spare parts: generally, a model does not necessarily have a related spare part for each particular shown on exploded views.
2. Some spare parts can not be represented directly on the exploded views (instruction booklets, specific kit, etc...). You can find those codes in the spare parts list with the same reference of particular where spares are installed or with references 099, 999. Instruction booklets, once managed, appear with 000 reference.
3. On the higher right site of each exploded view there is a serial number which indicates the beginning of the production of certain range: some models might have more than an exploded view for a given category, each distinguished by a different serial no. and linked to another spare parts list, In this case, serial no. is required to supply the right spare part code. Exploded view to be considered is the one with a more recent serial no. but previous than the one of the model that needs assistance.
4. Exploded views might require further updates even after publishing. Addition of new spares will go on following the already existing numeration references. Revision number of an exploded view is shown into last four digits of serial number into upper right hand corner.
5. The spare parts list associated to an exploded view shows related codes of spares managed for a certain model; for each spare part other informations are available:

REF: reference no of spare into a table; SUBSTITUTE: list of spare(s) which can replace a code but that keeps same functional characteristics

INDUSTRIAL CODE: list of variables of a model (shown into model label) where such spare is used; NOTICE: code of information(s) to refer to complete technical intervention, track for changes or to find correct spare part code.
6. Some notices, into a same section are generic therefore cannot be directly linked to a spare part. In order to assist a model in the best way as possible, it is helpful to pay attention to all notices and constantly verify documentation updates
7. Technical documentation cover shows model name and its commercial codes

1070430a

Exploded views



Matr. 00216.0001

1070430a

Spare parts list

| Ref. | Code | С сер.№ | По | Substitute | Description | Notice | Industrial |
|------|-----------|---------|----|---------------|----------------------------------|--------------------|------------|
| 000 | C00032178 | | | | user instructions booklet | | |
| 001 | C00031128 | | | | worktop - white 27 | | |
| 003 | C00032078 | | | | панель управления b26 | | |
| 004 | C00031129 | | | | пластинка для центр. молдинга | | |
| 005 | C00032180 | | | | dashboard moulding | | |
| 006 | C00030352 | | | | кнопка вкл/выкл b27 | | |
| 007 | C00032052 | | | | ручка таймера b26 | | |
| 007 | C00033091 | | | 1 x C00032052 | timer knob white 26 | | |
| 008 | C00031079 | | | 1 x C00040148 | temperatur knob white 26 | | |
| 009 | C00002555 | | | | пластинка ручки | | |
| 010 | C00032169 | | | | рукоятка времени сушки b26 | | |
| 011 | C00031075 | | | | ручка ящичка белая 26 | | |
| 012 | C00019662 | | | | крышка рамки | | |
| 013 | C00019672 | | | | внутренняя рамка дверцы | | |
| 014 | C00021880 | | | | стекло смотр. окна x cd e wd | | |
| 015 | C00019705 | | | 1 x C00021300 | striker - door catch | | |
| 016 | C00021894 | | | | стекл.экран смотр.окна | | |
| 017 | C00003044 | | | | штырь рукоятки | | |
| 018 | C00019704 | | | | пружина ручки | | |
| 019 | C00019690 | | | | черная рукоятка смотр. окна | 0107421 | |
| 021 | C00022487 | | | | кожух ручки люка b.27 | | |
| 021 | C00031856 | | | | комплект ручки люка, белый27 | | |
| 022 | C00029059 | | | | door inner/outer assy - white 27 | | |
| 023 | C00031437 | | | | штырь крышки фильтра | | |
| 024 | C00019673 | | | | крышка фильтра белая binda 26 | | |
| 025 | C00031438 | | | | пружина дверцы фильтра | | |
| 028 | C00030344 | | | | plinth white | | |
| 030 | C00032076 | | | | cabinet - filter door - white 27 | 0107468 0107552 | |
| 030 | C00044623 | | | | timer support | 0107468 | |
| 031 | C00019668 | | | | пластинка петли | | |
| 032 | C00020024 | | | | петля люка (30912) | 0107450 | |
| 032 | C00043019 | | | 1 x C00074149 | taptite screw m4x6testfr | | |
| 033 | C00033652 | | | | опора ножки | | |
| 034 | C00027096 | | | 1 x C00053986 | ножка в сборе (70907) | | |

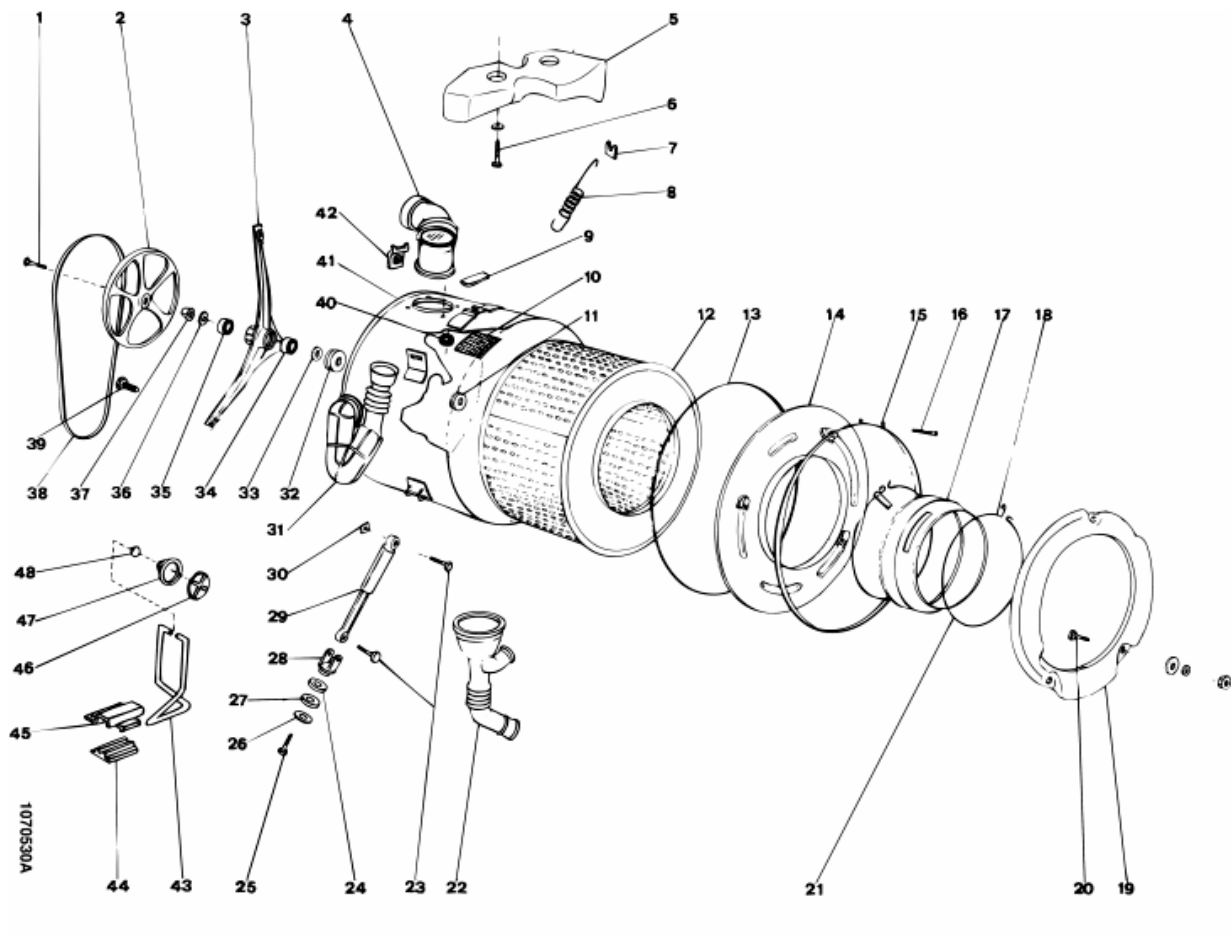
1070430a

Spare parts list

| Ref. | Code | С сер.№ | По | Substitute | Description | Notice | Industrial |
|------|-----------|---------|----|------------|---------------------------|--------|------------|
| 041 | C00020664 | | | | зажим сливного шланга | | |
| 043 | C00019664 | | | | rear cover - white | | |
| 044 | C00024552 | | | | держатель труб | | |
| 045 | C00023847 | | | | wiring clamp 11/18 | | |
| 046 | C00015835 | | | | worktop retainer | | |
| 047 | C00019685 | | | | держатель сливного шланга | | |

1070530a

Exploded views



1070530a

Spare parts list

| Ref. | Code | С сер.№ | По | Substitute | Description | Notice | Industrial |
|------|-----------|---------|----|---|---------------------------------|---------|------------|
| 001 | C00019802 | | | | винт крепления ведомого шкива | | |
| 002 | C00027209 | | | | шкив ведомый 800 об | | |
| 003 | C00029085 | | | 1 x C00019757 1 x C00027215 2 x C00038865 | крестовина 800 оборотов | | |
| 004 | C00027490 | | | | hose tub-connection steam | | |
| 005 | C00030337 | | | | upper counterweight | | |
| 006 | C00015492 | | | | винт m8x80 t.t.l. | | |
| 007 | C00019675 | | | | кольцо зажимное пружины | | |
| 008 | C00021911 | | | 2 x C00029165 | tank spring red 129 mm | | |
| 009 | C00025208 | | | | прокладка губчатая | | |
| 010 | C00027453 | | | | filter steam | | |
| 011 | C00026307 | | | | кольц.уплотнение v35 | | |
| 012 | C00029088 | | | | drum 800 rpm (80526) | | |
| 013 | C00020941 | | | | прокладка нерж.крышки ванны | | |
| 014 | C00031029 | | | | крышка нерж.ванны | | |
| 015 | C00003018 | | | | clamping band tank front | | |
| 016 | C00023840 | | | | винт m6 x 80 для главного | | |
| 017 | C00027457 | | | | прокладка люка | | |
| 018 | C00008665 | | | 1 x C00033041 | bellows clamp - case front | | |
| 018 | C00032708 | | | | plastic insert nut - case front | 0107387 | |
| 019 | C00030335 | | | | kit front counterweight | | |
| 020 | C00030444 | | | | screw tfl m8 x 35 | | |
| 021 | C00019711 | | | 1 x C00036780 | bellows clamp (over centre) | | |
| 022 | C00027491 | | | | сильфон слива d.70 mm. | | |
| 022 | C00027990 | | | | зажим 78-85 | | |
| 023 | C00030446 | | | | винт m10 x 45 zntr | | |
| 024 | C00030339 | | | | опора верхняя амортизатора | | |
| 025 | C00030445 | | | | винт m8 x 25 zntr | | |
| 026 | C00030341 | | | | пружинная шайба 10,5 x 17,5 x | | |
| 027 | C00030392 | | | 1 x C00030339 | rubber cup washer | | |
| 028 | C00030338 | | | | опора амортизатора | | |
| 029 | C00030340 | | | | амортизатор 80 n | | |
| 030 | C00030447 | | | | nut m10 | | |
| 031 | C00027492 | | | | сильфон загрузки | | |

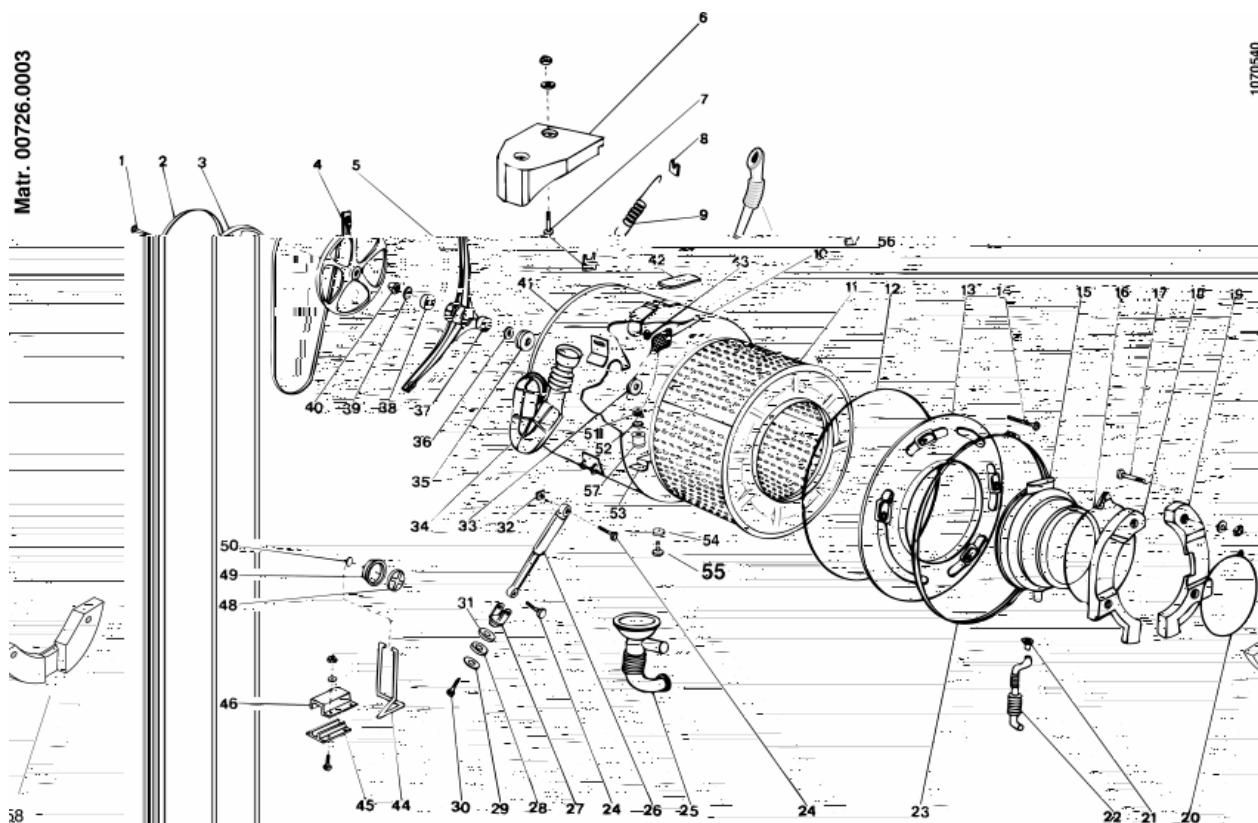
1070530a

Spare parts list

| Ref. | Code | С сер.№ | По | Substitute | Description | Notice | Industrial |
|------|-----------|---------|----|---------------|-------------------------------|--------|------------|
| 032 | C00029087 | | | | прокладка крестовины 800/1000 | | |
| 033 | C00026301 | | | | диск крестовины 1000 об х v- | | |
| 034 | C00013563 | | | | подшипник 25 x52 x 15 6205 - | | |
| 035 | C00002591 | | | | подшипник 20x47x14 6204 skf | | |
| 037 | C00022335 | | | | втулка шкива 800 об | | |
| 038 | C00027206 | | | | ремень poly-v 1270 mm. | | |
| 039 | C00018018 | | | 1 x C00038358 | bolt m8 x 18 te (dry loc) | | |
| 040 | C00019716 | | | | seal'for element clamp' | | |
| 041 | C00032179 | | | | inox tub outer | | |
| 042 | C00019667 | | | | пластинка крестовины | | |

1070540

Exploded views



1070540

Spare parts list

| Ref. | Code | С сер.№ | По | Substitute | Description | Notice | Industrial |
|------|-----------|---------|----|---------------|----------------------------------|---------|------------|
| 001 | C00018018 | | | 1 x C00038358 | bolt m8 x 18 te (dry loc) | | |
| 001 | C00019802 | | | | винт крепления ведомого шкива | 0107466 | |
| 001 | C00039670 | | | | шайба для шкива 1000 g (21106) | | |
| 001 | C00039671 | | | | винт крепления ведомого | | |
| 002 | C00027206 | | | | ремень poly-v 1270 mm. | | |
| 003 | C00027209 | | | | шкив ведомый 800 об | 0107466 | |
| 003 | C00039669 | | | | ведомый шкив 1000 g | | |
| 004 | C00027215 | | | | bearing spider 800 rpm aluminium | 0107410 | |
| 004 | C00033020 | | | | крестовина барабана 800 обор. | 0107466 | |
| 004 | C00039668 | | | | крестовина с уплотнит. | | |
| 005 | C00019667 | | | | пластинка крестовины | | |
| 006 | C00032867 | | | | противовес верхний | | |
| 007 | C00019804 | | | 1 x C00038865 | screw ttl m8x50 | | |
| 008 | C00019675 | | | | кольцо зажимное пружины | | |
| 009 | C00021911 | | | 2 x C00029165 | tank spring red 129 mm | | |
| 010 | C00032849 | | | | фильтр | | |
| 011 | C00029088 | | | | drum 800 rpm (80526) | 0107410 | |
| 011 | C00033024 | | | 1 x C00036389 | drum star wheel sealing rings | | |
| 011 | C00034397 | | | | комплект крестовины барабана | | |
| 011 | C00040870 | | | | барабан 1000 оборотов с тягами | | |
| 011 | C00043802 | | | | крестовина (компл-т) барабана | | |
| 012 | C00020941 | | | | прокладка нерж.крышки ванны | | |
| 013 | C00033090 | | | | нерж.крышка ванны 4 скобы | | |
| 014 | C00023840 | | | | винт m6 x 80 для главного | | |
| 015 | C00032850 | | | | прокладка смотрового окна | 0107458 | |
| 016 | C00019711 | | | 1 x C00036780 | bellows clamp (over centre) | | |
| 016 | C00036780 | | | | кольцо крепежное заднее geaz | | |
| 017 | C00018234 | | | | screw m8x40 ttp | | |
| 018 | C00032866 | | | 1 x C00045236 | front counterweight left | | |
| 019 | C00032865 | | | 1 x C00045236 | front counterweight right | | |
| 020 | C00008665 | | | 1 x C00033041 | bellows clamp - case front | | |
| 020 | C00032708 | | | | plastic insert nut - case front | | |
| 020 | C00033041 | | | | зажим передний 856 mm | | |
| 023 | C00003018 | | | | clamping band tank front | | |
| 024 | C00030446 | | | | винт m10 x 45 zntr | | |

1070540

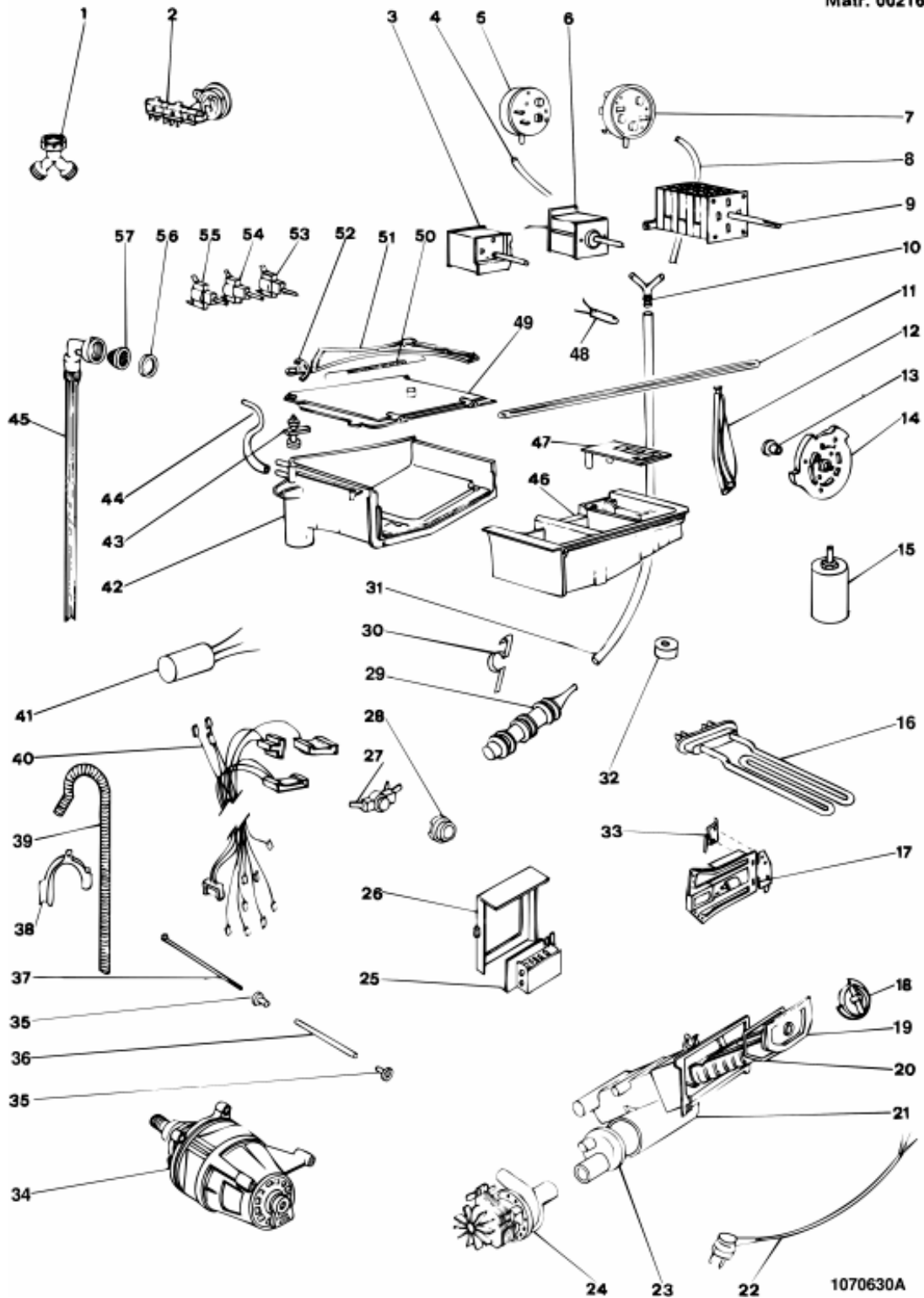
Spare parts list

| Ref. | Code | С сер.№ | По | Substitute | Description | Notice | Industrial |
|------|-----------|---------|----|---------------|-------------------------------|----------|------------|
| 025 | C00027491 | | | | сильфон слива d.70 mm. | | |
| 025 | C00027990 | | | | зажим 78-85 | | |
| 026 | C00030340 | | | | амортизатор 80 n | | |
| 027 | C00030338 | | | | опора амортизатора | | |
| 028 | C00030392 | | | 1 x C00030339 | rubber cup washer | | |
| 029 | C00030341 | | | | пружинная шайба 10,5 x 17,5 x | | |
| 030 | C00030445 | | | | винт m8 x 25 zntr | | |
| 031 | C00030339 | | | | опора верхняя амортизатора | | |
| 032 | C00030447 | | | | nut m10 | | |
| 033 | C00026307 | | | | кольц.уплотнение v35 | 0107410 | |
| 033 | C00039667 | | | | уплотнительное кольцо (21106) | | |
| 034 | C00027492 | | | | сильфон загрузки | | |
| 035 | C00029087 | | | | прокладка крестовины 800/1000 | 0107410 | |
| 035 | C00033025 | | | | прокладка крестовина с | | |
| 036 | C00026301 | | | | диск крестовины 1000 об x v- | 0107410 | |
| 036 | C00033019 | | | | уплотнительное кольцо 800 об. | 0107466 | |
| 037 | C00013563 | | | | подшипник 25 x52 x 15 6205 - | | |
| 038 | C00002591 | | | | подшипник 20x47x14 6204 skf | | |
| 040 | C00022335 | | | | втулка шкива 800 об | | |
| 041 | C00033092 | | | | нерж.ванна 80 | | |
| 042 | C00025208 | | | | прокладка губчатая | | |
| 043 | C00019716 | | | | seal'for element clamp' | | |
| 051 | C00037135 | | | | гайка самоблокирующаяся m4 | | |
| 052 | C00037142 | | | 1 x C00037132 | washer 4x12x1 stainless | | |
| 053 | C00037083 | | | 1 x C00037177 | heater bracket | | |
| 054 | C00037133 | | | 1 x C00037132 | seal | | |
| 055 | C00037132 | | | | винт + шайба m4x12 tmt из | n1040300 | |
| 057 | C00058523 | | | | комплект направл. сопротивл. | | |

1070630a

Exploded views

Matr. 00216.0001



1070630a

Spare parts list

| Ref. | Code | С сер.№ | По | Substitute | Description | Notice | Industrial |
|------|-----------|---------|----|---------------|---------------------------------|----------|------------|
| 002 | C00029204 | | | | terminal block box elettrogibi | | |
| 003 | C00032173 | | | | таймер | | |
| 004 | C00032176 | | | | hose prssure switch hose 75 mm | | |
| 005 | C00032079 | | | | реле давления 1-уровн. 115/92 | | |
| 006 | C00019650 | | | | регулируемый термостат | | |
| 007 | C00032080 | | | | реле давления 2 ур. | | |
| 008 | C00032172 | | | 1 x C00030387 | pressure switch hose 135 mm | | |
| 009 | C00032175 | | | | таймер elbi 1388/2 | | |
| 010 | C00021774 | | | | тройник трубки реле давления | | |
| 011 | C00031068 | | | | тяга дозатора моющих средств | | |
| 012 | C00023848 | | | | элемент ведомый кулачка | | |
| 013 | C00031062 | | | | bush for timer cam elbi red | | |
| 014 | C00031495 | | | | кулачок распределителя elbi | | |
| 016 | C00019973 | | | | сопротивление 1950 w. | | |
| 017 | C00030502 | | | 1 x C00046180 | thermal interlock + microswitch | | |
| 017 | C00031452 | | | | microswitch holder texas | | |
| 018 | C00027473 | | | | ручка фильтра | | |
| 019 | C00027470 | | | | фильтр сливного насоса | | |
| 020 | C00027460 | | | | прокладка фильтра серая | | |
| 021 | C00029093 | | | | filter body (with pin) | | |
| 022 | C00003103 | | | 1 x C00022357 | supply cable | | |
| 023 | C00027471 | | | | соединитель между насосом и | | |
| 024 | C00027882 | | | | самоочищающийся насос 220 | | |
| 025 | C00032171 | | | | модуль | | |
| 026 | C00021684 | | | | bracket for module | | |
| 027 | C00019753 | | | | термостат 2tt 40шпа 60шпс | | |
| 028 | C00014917 | | | | прокладка термостата | | |
| 029 | C00027467 | | | | воздушный фильтр-ловушка | | |
| 030 | C00020025 | | | | air trap clip | | |
| 031 | C00030388 | | | 1 x C00041785 | трубка реле давления 450mm | | |
| 032 | C00019755 | | | | устройство противоударное | | |
| 033 | C00032177 | | | 1 x C00046180 | microswitch for thermal lock | | |
| 034 | C00025295 | | | 1 x C00031602 | brush for commutator motor | | |
| 034 | C00027208 | | | 1 x C00046524 | motor | n1040258 | |
| 034 | C00028594 | | | | тахогенератор для | | |

1070630a

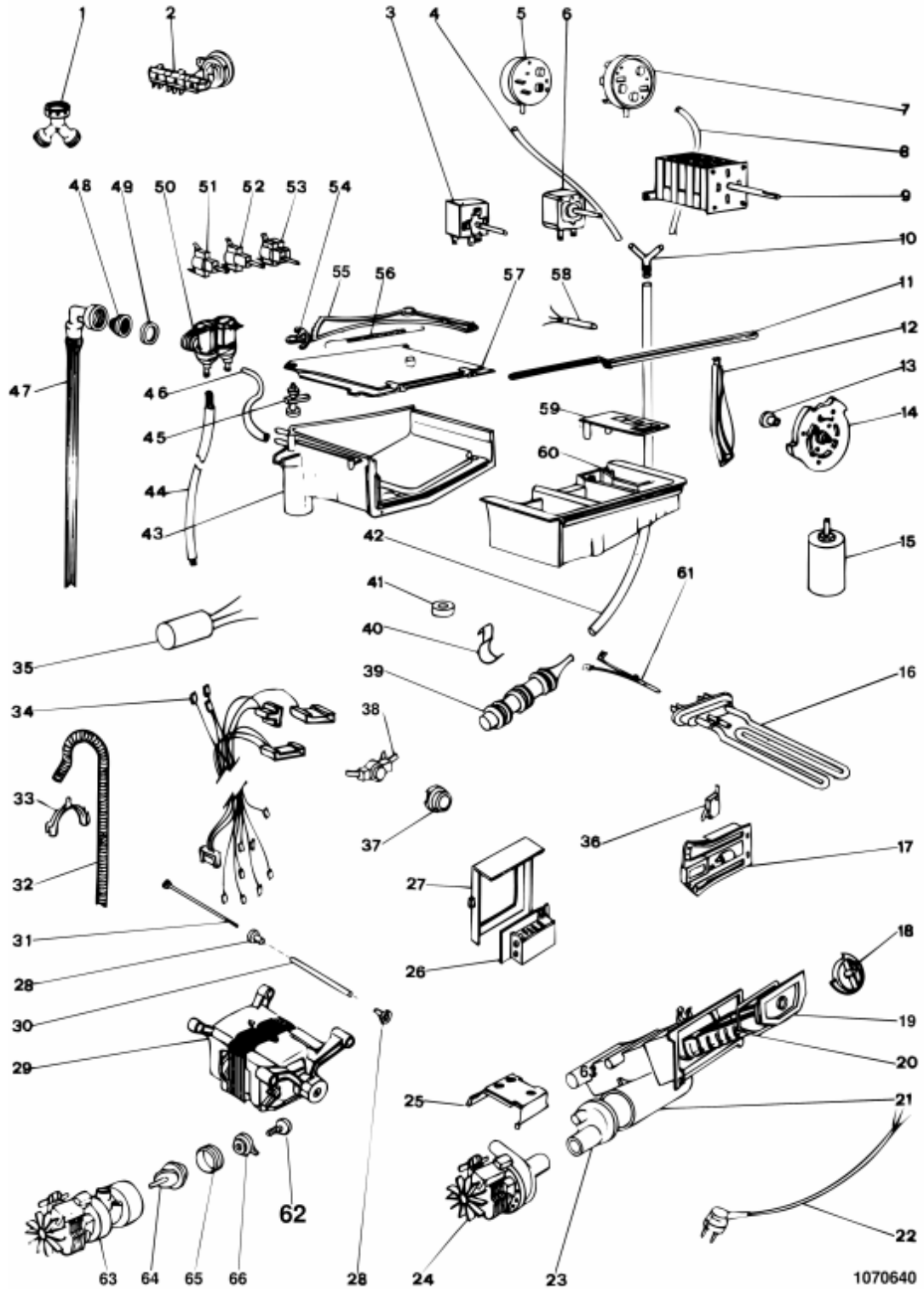
Spare parts list

| Ref. | Code | С сер.№ | По | Substitute | Description | Notice | Industrial |
|------|-----------|---------|----|---------------|--------------------------------|--------|------------|
| 035 | C00019682 | | | | втулка держателя двигателя, 20 | | |
| 036 | C00019965 | | | | распорка двигателя | | |
| 037 | C00019964 | | | | винт двигателя m6 x 212te | | |
| 038 | C00019902 | | | | опора спиральн. сливн. шланга | | |
| 039 | C00027466 | | | | спир.сливной шланг с коленом | | |
| 040 | C00027450 | | | | harness motor blower | | |
| 040 | C00032174 | | | | harness + timer elbi 1388/2 | | |
| 041 | C00008666 | | | 1 x C00026359 | radio interference suppressor | | |
| 042 | C00019733 | | | | hopper | | |
| 043 | C00021662 | | | | dispenser cold water | | |
| 044 | C00015498 | | | | шланг для горячей воды l=600 | | |
| 045 | C00003070 | | | | залив.шланг 1500 mm | | |
| 046 | C00022678 | | | | емкость для моющего средства | | |
| 047 | C00019840 | | | | крышка ящичка для бобавок | | |
| 048 | C00019749 | | | | лампочка сигнальная | | |
| 049 | C00019726 | | | 1 x C00020878 | hopper cover | | |
| 050 | C00019708 | | | | пружина дозатора | | |
| 051 | C00028568 | | | | шестерня промежуточная | | |
| 052 | C00028569 | | | | шестерня промежуточная | | |
| 053 | C00030358 | | | | зам.-разм. выключатель вкл- | | |
| 054 | C00031061 | | | | выключатель nc | | |
| 055 | C00030357 | | | | выключатель-переключатель | | |
| 056 | C00005572 | | | | прокладка заливочного шланга | | |
| 057 | C00005781 | | | | фильтр заливочного шланга | | |

1070640

Exploded views

Matr. 00726.0003



1070640

1070640

Spare parts list

| Ref. | Code | С сер.№ | По | Substitute | Description | Notice | Industrial |
|------|-----------|---------|----|---------------|---------------------------------|----------|------------|
| 002 | C00029204 | | | | terminal block box elettrogibi | | |
| 003 | C00032173 | | | | таймер | | |
| 004 | C00030387 | | | | шланг реле давления 150 mm | | |
| 005 | C00032874 | | | 1 x C00085193 | реле давления 1 ур.115/85 + | | |
| 006 | C00033058 | | | | регулируемый термостат | | |
| 007 | C00033047 | | | | реле давления 2 ур. | | |
| 009 | C00033059 | | | | таймер eaton ec 4254.02 | | |
| 010 | C00021774 | | | | тройник трубки реле давления | | |
| 011 | C00031068 | | | | тяга дозатора моющих средств | | |
| 012 | C00023848 | | | | элемент ведомый кулачка | | |
| 013 | C00031082 | | | | втулка стопорная кулачка, | | |
| 014 | C00031495 | | | | кулачок распределителя elbi | | |
| 016 | C00033055 | | | | сопротивл. с тепловым | | |
| 017 | C00030502 | | | 1 x C00046180 | thermal interlock + microswitch | | |
| 017 | C00031452 | | | | microswitch holder texas | | |
| 018 | C00027473 | | | | ручка фильтра | | |
| 019 | C00027470 | | | | фильтр сливного насоса | | |
| 020 | C00027460 | | | | прокладка фильтра серая | | |
| 021 | C00030624 | | | | корпус фильтра wd | | |
| 022 | C00003103 | | | 1 x C00022357 | supply cable | | |
| 023 | C00027471 | | | | соединитель между насосом и | | |
| 024 | C00027882 | | | | самоочищающийся насос 220 | | |
| 026 | C00033040 | | | | аналоговый модуль a.s.+s.o. | | |
| 026 | C00037199 | | | | предохранитель 5 a | | |
| 027 | C00021684 | | | | bracket for module | | |
| 028 | C00019682 | | | | втулка держателя двигателя, 20 | | |
| 029 | C00025295 | | | 1 x C00031602 | brush for commutator motor | | |
| 029 | C00027208 | | | 1 x C00046524 | motor | n1040258 | |
| 029 | C00028594 | | | | тахогенератор для | | |
| 029 | C00028595 | | | | щетка коллект. | | |
| 029 | C00035289 | | | 1 x C00043430 | tacho for motor ice | | |
| 029 | C00035290 | | | | щетка электродвигателя | | |
| 029 | C00053045 | | | | двигатель тахиметр. ceset | | |
| 030 | C00019965 | | | | распорка двигателя | | |
| 031 | C00019964 | | | | винт двигателя m6 x 212te | | |

1070640

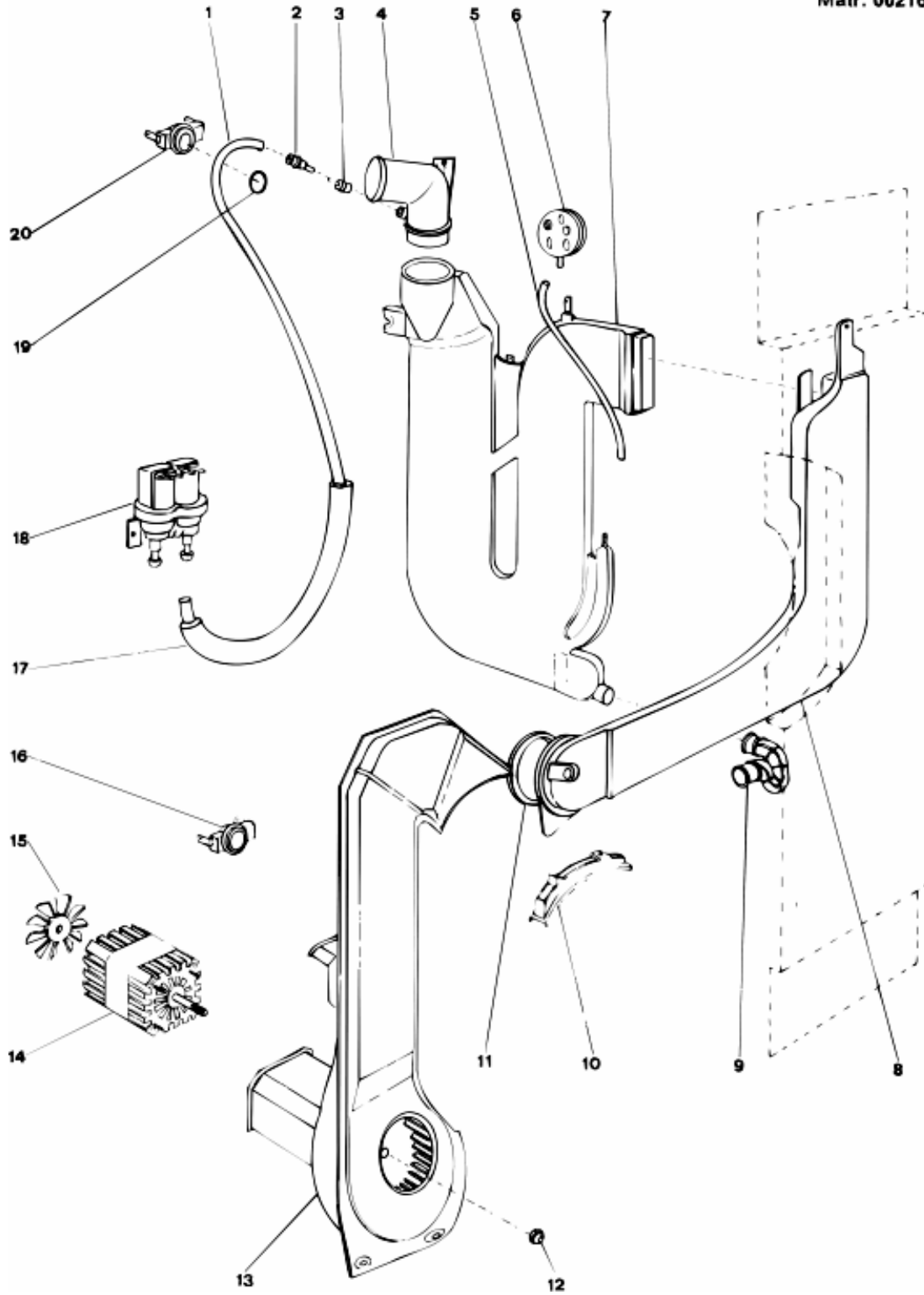
Spare parts list

| Ref. | Code | С сер.№ | По | Substitute | Description | Notice | Industrial |
|------|-----------|---------|----|---------------|---------------------------------|---------|------------|
| 032 | C00027466 | | | | спир.сливной шланг с коленом | | |
| 033 | C00019902 | | | | опора спиральн. сливн. шланга | | |
| 034 | C00033080 | | | | wiring + timer eaton ec 4254.02 | | |
| 035 | C00008666 | | | 1 x C00026359 | radio interference suppressor | | |
| 037 | C00014917 | | | | прокладка термостата | | |
| 038 | C00019753 | | | | термостат 2tt 40шпа 60шпс | | |
| 039 | C00027467 | | | | воздушный фильтр-ловушка | | |
| 040 | C00020025 | | | | air trap clip | | |
| 041 | C00019755 | | | | устройство противоударное | | |
| 042 | C00030388 | | | 1 x C00041785 | трубка реле давления 450mm | | |
| 043 | C00019733 | | | | hopper | 0107486 | |
| 043 | C00046621 | | | | бункер + крышка | | |
| 044 | C00033078 | | | | шланг электр. клапана | | |
| 045 | C00021662 | | | | dispenser cold water | | |
| 046 | C00015498 | | | | шланг для горячей воды l=600 | | |
| 047 | C00003070 | | | | залив.шланг 1500 mm | | |
| 048 | C00005781 | | | | фильтр заливочного шланга | | |
| 049 | C00005572 | | | | прокладка заливочного шланга | | |
| 050 | C00021864 | | | | двойной электроклапан 10lt. | | |
| 051 | C00030357 | | | | выключатель-переключатель | | |
| 052 | C00031061 | | | | выключатель nc | | |
| 053 | C00030358 | | | | зам.-разм. выключатель вкл- | | |
| 054 | C00028569 | | | | шестерня промежуточная | | |
| 055 | C00028568 | | | | шестерня промежуточная | | |
| 056 | C00019708 | | | | пружина дозатора | | |
| 057 | C00019726 | | | 1 x C00020878 | hopper cover | 0107486 | |
| 057 | C00047276 | | | | dispenser top | | |
| 058 | C00019749 | | | | лампочка сигнальная | | |
| 059 | C00019840 | | | | крышка ящичка для бобавок | 0107486 | |
| 059 | C00046424 | | | | additive cover (50410) | | |
| 060 | C00022678 | | | | емкость для моющего средства | 0107486 | |
| 060 | C00046423 | | | | ящик моющего средства (50410) | | |

1070730a

Exploded views

Matr. 00216.0001



1070730a

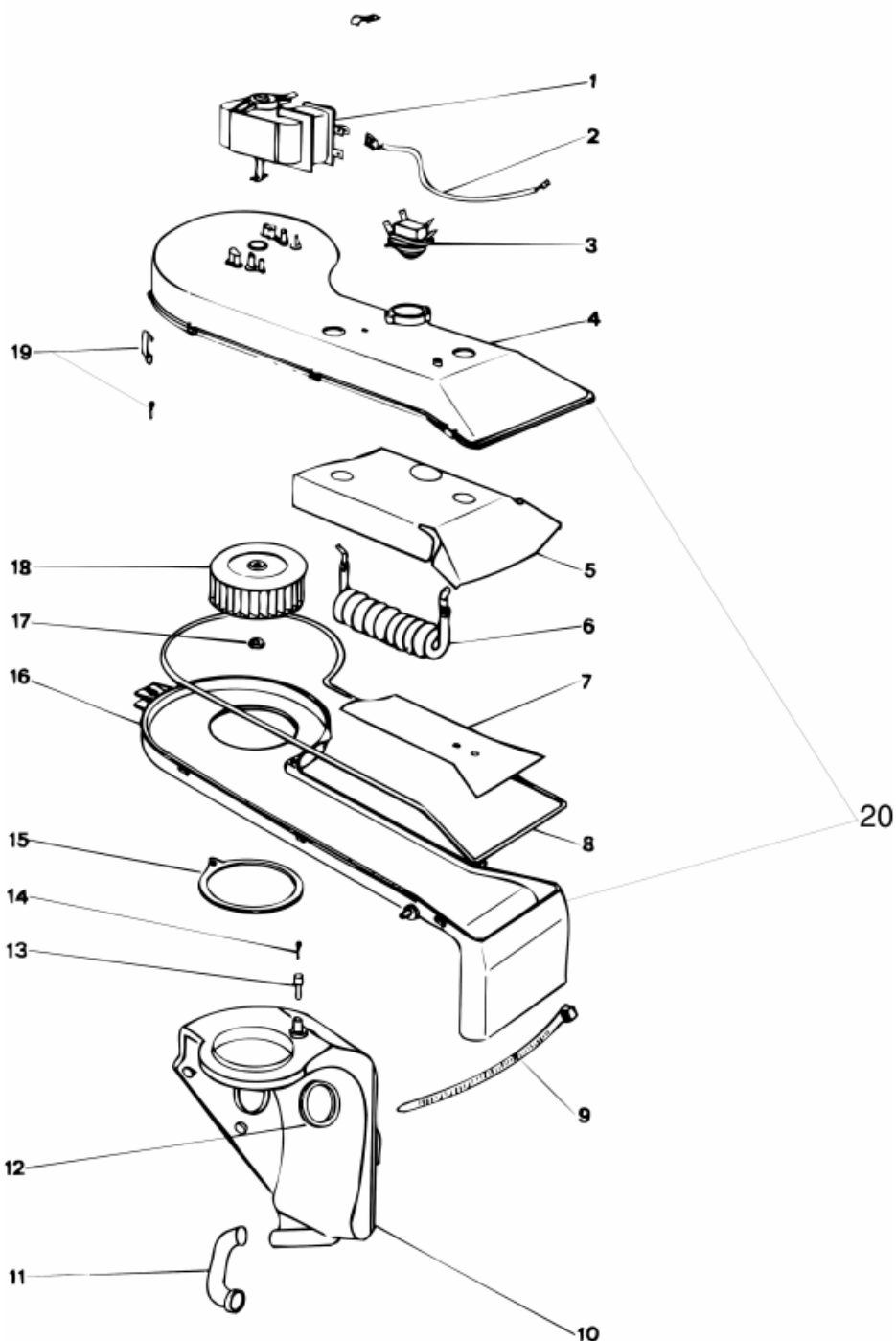
Spare parts list

| Ref. | Code | C cep.№ | По | Substitute | Description | Notice | Industrial |
|------|-----------|---------|----|------------|------------------------------|--------|------------|
| 001 | C00027462 | | | | hose electrovalve condenser1 | | |
| 002 | C00021881 | | | | regulator seat | | |
| 003 | C00015461 | | | | regulator(0,5 lt./1) 'la' | | |
| 004 | C00027476 | | | | connection steam condenser1 | | |
| 005 | C00023147 | | | | pressure switch hose 340mm. | | |
| 006 | C00027493 | | | | pressure switch 65/30 | | |
| 007 | C00027468 | | | | steam condenser 1 | | |
| 008 | C00027469 | | | | steam condenser 2 | | |
| 009 | C00027461 | | | | hose condenser1 filter | | |
| 010 | C00027455 | | | | flange air intake | | |
| 011 | C00027458 | | | | steam condenser2 gasket | | |
| 012 | C00027452 | | | | nut fixing blower | | |
| 013 | C00027871 | | | | set blower 1250w. 220v. | | |
| 014 | C00027870 | | | | motor blower 220v. 50hz. | | |
| 015 | C00027477 | | | | gauge | | |
| 016 | C00021877 | | | | safety thermostat 95°c nc | | |
| 018 | C00021864 | | | | двойной электроклапан 10lt. | | |
| 019 | C00020956 | | | | o ring | | |
| 020 | C00025173 | | | | thermostat 2tt 48°nc 73°nc | | |

1070740

Exploded views

Matr. 00726.0002



1070740

Spare parts list

| Ref. | Code | С сер.№ | По | Substitute | Description | Notice | Industrial |
|------|-----------|---------|----|---------------|---------------------------------|--------------------|------------|
| 001 | C00032859 | | | | электродвиг.вентил.230 в 50 гц. | | |
| 002 | C00032843 | | | | провод tepl.предохранителя | | |
| 003 | C00032861 | | | | термостат 2tt nc 125/85 | | |
| 004 | C00032854 | | | 1 x C00054789 | blower manifold top | 0107393 | |
| 006 | C00032858 | | | 1 x C00080765 | сопротивление 1000 вт/230 в | | |
| 008 | C00032847 | | | | прокладка нагнетателя | | |
| 009 | C00033210 | | | | зажим fastex 350 mm x 7.8 mm | | |
| 010 | C00032863 | | | | конденсатор пара | | |
| 011 | C00032862 | | | | hose - condenser / tank | | |
| 012 | C00032871 | | | | прокладка конденсатор/бак | | |
| 013 | C00032845 | | | | гнездо регулятора | | |
| 014 | C00032846 | | | | регулятор (0,45 lt./1) | | |
| 015 | C00032844 | | | | прокладка конденсатора | | |
| 016 | C00032855 | | | 1 x C00054789 | blower manifold - lower | 0107393 0107400 | |
| 017 | C00032972 | | | | крепежная гайка крыльчатки | | |
| 018 | C00021885 | | | | вентилятор x cd | | |
| 019 | C00032856 | | | | пружина для сборки нагнетателя | | |

Notices

0107387: EXPANDER FOR FASTENING RING SEAL

As from serial no. 00412.001 the fixing hole of the front gasket ring has been changed from round to square on all the cabinets of the washer and tumble dryers.

A spacer cod. 032708 can now be fitted which stops the ring screw from scratching the cabinet and therefore prevents the formation of rust.

0107393: MODIFIED BLOWER ON TYPE 4 WASHERS

As from serial no. 00920.0001, the upper (code 032854) and bottom (032855) blower bodies have been modified on all type 4 washers in order to ensure a perfectly watertight seal to the blower unit

These now have three perforated tabs which permit the use of self-threading screws.

The new parts are indicated under the same codes as the premodification code (until stocks last), but are not interchangeable individually.

0107400: MODIFIED WAY WASHER-DRYER (T.4) BLOWER ATTACHED

As from serial no. 01026.0001, the bottom blower body code 032855 has been modified on the washer-dryers type 4.

The modification consists of the following: the two threaded eliminated and two threaded M8 holes have been made in the same area for housing an M8 X 18 ZNTR screw, currently available under code 018018.

The modified blower is interchangeable with the previous model and is therefore available under the same SAT code.

0107410: STAR WHEEL WITH RING SEALS

As from serial No. 10311.0001, spider wheels with seal ring have been used on all 800 rpm Washers and Tumble Dryers with exception of models

AR, AS and KLB in order to improve the water seal on the drum-spider wheel area.

The new parts used are as follows:

Code 034182 - 800 rmp str. 39 drum;

Code 033024 - 800 rpm str. 80 drum;

Code 033020 - Spider wheel with 800 rpm seal rings

Code 033019 - 800 rpm 52X35X12 seal ring;

Code 033026 - 1 kg packet of Ampligon TA grease;

Code 033025 - Spider wheel gasket for seal rings;

Code 002591 - Bearing 6204 - 2Z;

Code 013563 - Bearing 6205 - 2Z.

The user can use either the assembled spider wheel or the individual parts; in the case of the latter, remember that the surface of the bearing housing must not be warped or deformed in any way; if so, replace the entire spider wheel.

When you are fitting the seal ring on the spider wheel remember that the printing on the ring must be on the outside.

Moreover, in order to ensure a perfect seal of the ring, spread about 7 g. of Ampligon TA grease between the bearing and ring contact surface and in the hole at the centre of the ring.

0107417: CODIFICATION OF ELECTRONIC MODULE FUSE

Further to the requests received for the fuse used on the electronic models of the washing machine and tumble dryer, we have decided to include this as a spare part.

This part should be requested with code 037199; in the spare parts manual it will have the same reference number as the module.

0107421: MODIFIED DOOR HANDLE FOR WASHER AND WASHER-DRYER DOOR

For production reasons, the door handle has been modified on all washers and tumble dryers as from serial no. 11205.0001.

The new handle has a different structure and is made of hostaform instead of polycarbonate; the handle is white and not black.

This handle can not be used to replace the black handle (code 019690) because it does not fit the inner frame of the door.

Technical Servicing Departments must therefore use only the black handle because if necessary, it can be used to replace the white handle.

0107450: MODIFIED DOOR HINGE FOR MARGHERITA MULINELLO

The door hinge (code 020024) has been modified on all Washers and Washer-dryers in the Margherita and Mulinello ranges as from serial no. 40310.0001.

The holes of the hinge are now smaller and a hexagonal-head three-section M4x10 screw Taptite code 043019 is used to fix the appliance to the cabinet.

The modified hinge will have the same SAT code as the premodification hinge which will be supplied until stocks last.

When fixing the hinge, remember that you can either use the three-section screw or alternatively, by widening the holes with a bit you can use the metric M4x12 screw code 019846.

0107458: TRIANGULAR TAB FOR RING SEALS

That as from serial no. 40322.0001, a triangular tab has been added to the top of the door gasket on Margherita washing machines and tumbler driers in order to improve the positioning of laundry during the wash and spin cycles.
The new gaskets are fully interchangeable with the premodification gaskets and are supplied under the same SAT codes (washing machine code 019722 and tumble drier code 032850).

0107466: MECHANICAL PARTS FOR 1000 RPM ON MARGHERITA 800 RPM UNIT

As from serial no. 40831.0001 in order to improve the mechanics in the spider-wheel/drum shaft area, the following parts have been used on all 800 rpm washers-dryers in the Margherita models.

Code 040870 - Drum for O-ring 1000 rpm with holes;
Code 039668 - Spider wheel with O-ring 1000 rpm str. 39/80;
Code 043802 - Spider wheel drum with O-ring 1000 rpm str. 80;
Code 039669 - Driven pulley 1000 rpm str. 39/80;
Code 039671 - Screw M8 x 22;
Code 039670 - Washer 8.5 x 28 x 2.5;
Code 039667 - O-ring 1000 rpm;
Code 013563 - Bearing 6205-2Z
Code 002591 - Bearing 6204-2Z;

When making repairs either the spider wheel-tank unit or the single components may be used; in the case of the latter, remember to check that the surface of the bearing housing is not buckled; if so the entire spider wheel must be replaced.

When fitting the O-ring, ensure that the printing on the ring is external.

In addition, in order to ensure a perfect seal, apply approx. 7 g of

Ampligon TA grease on the surface between the bearing and the ring and in the hole at the centre of the ring.

The above mentioned parts are not individually interchangeable with the premodification parts.

0107468: RIVETED INSTEAD OF WELDED TIMER SUPPORT PIECE

As from serial no. 40905.0001, on all the Washing Machines and Tumble Driers produced in the factory of Comunanza, with exception of the Mulinello range, a rivetted timer support (code 044623) is mounted instead of the welded timer support.

The cabinets without support will continue to have the same SAT codes as the premodification models.

When installing a new cabinet, the support of the cabinet that has been replaced may be reused or the support supplied as a spare part can be used.

0107486: NEW DISPENSER ASSEMBLY FOR AV-AI-LB-AS MODELS

As from serial no. 50522.0001 the hopper lid, hopper, detergent dispenser and additive lid were modified in order to improve

detergent filling on all washer and tumble dryers in the "Margherita AI-AV", "Snella", "Quadrifoglio LB" range with exception of the special models manufactured for the

German and English markets:

The codes of the modified parts are as follows:

Code 047276 - DE hopper lid;

Code 046621 - Hopper;

Code 046423 - Detergent dispenser;

Code 046424 - Additive lid;

The new parts are not individually interchangeable with the premodification parts (that will continue to be supplied) but are interchangeable if used as a whole.

0107552: BACK CABINET MODIFICATION

Beginning from serial number 80825.0001 the terminal block, the back panel, the drain pipe and the back of the cabinet have been changed in the Washing Machines and Washer-Dryers in the Dialogic, AL and AB range.

The following part are affected by this modification:

Dialogic:

Code 049515 Back panel;

Code 051738 Drain pipe assembly;

Code 041163 Terminal block box.

AL / AB AL..C / AB..C Washing Machines and Washer-Dryers

Code 049515 Back panel;

Code 051738 Drain pipe assembly;

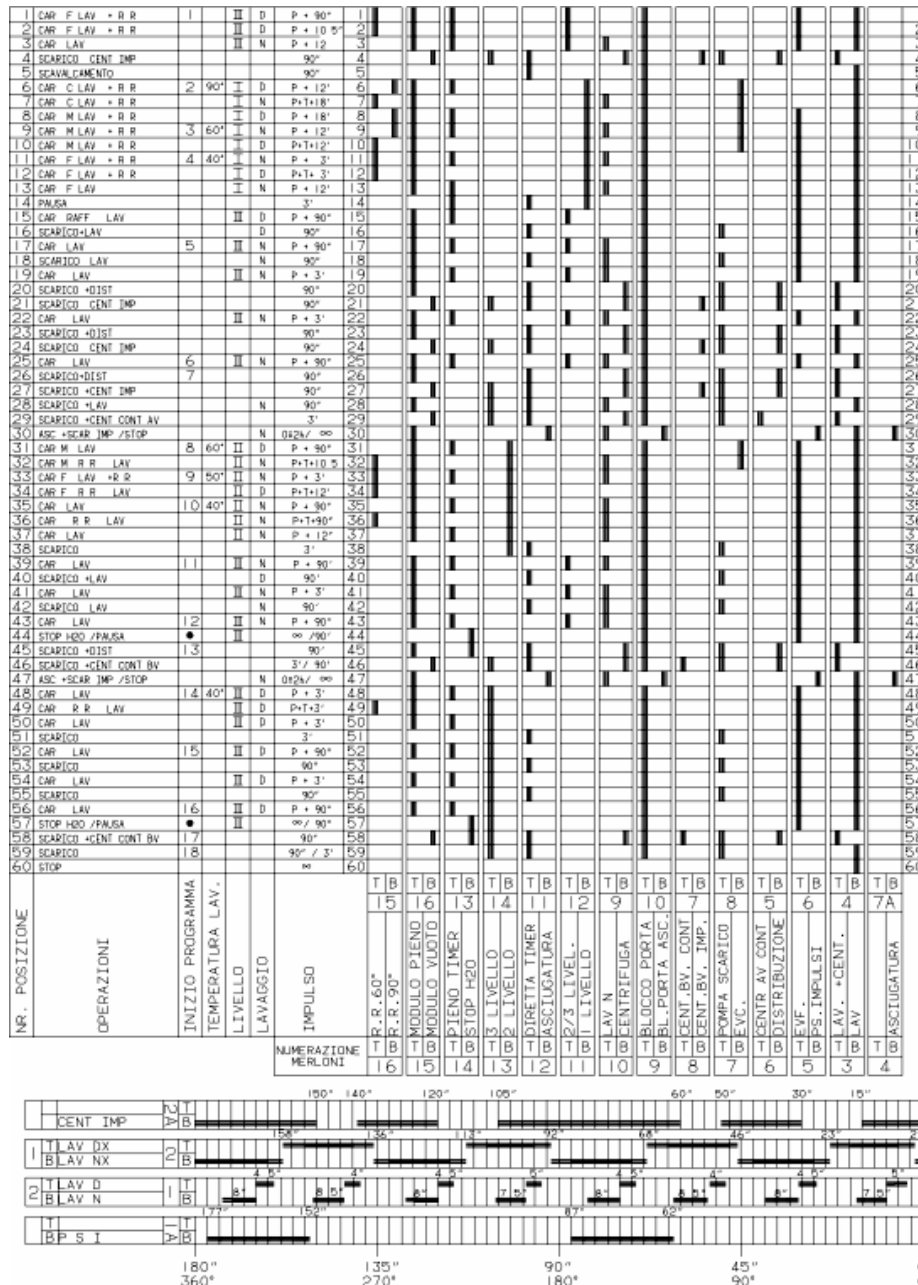
Code 041163 Terminal block box.

The modified cabinets retain the same SAT codes as the pre-modification ones. In order to guarantee interchangeability, they are handled complete with back panel and terminal block.

The modification is also extended to out-of-production cabinets that are handled as a spare part. Therefore, in case of modified cabinets, the back panel with code 049515 and the terminal block 041163 must be used.

Electric schemes and links

Cod. 107111a



Legend

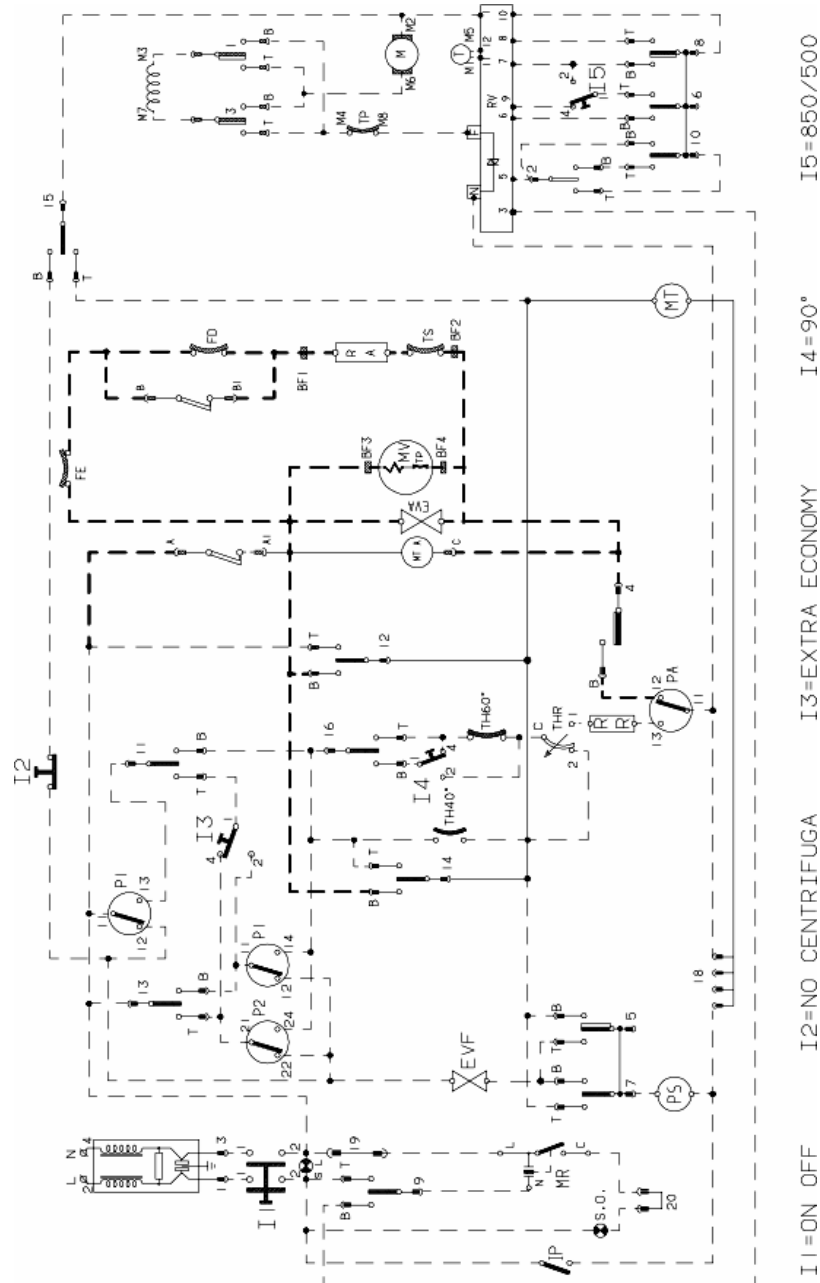
Legend: 107111a

| | | | |
|--------------|---|--------|-----------------------------------|
| B | Buzzer | N | Neutral or Terminal Board |
| BF | Terminal board contact, motor fan and dryer | NC | Spin cycle exclusion |
| BP | Buzzer | P | Pressure switch |
| C | Condensator | P1 | 1st level pressure cut-off switch |
| CA | Condensator | P2 | 2nd level pressure cut-off switch |
| DV | Switching device | PA | High speed potentiometer |
| EF/CL | Electro-Valve Cold Water / Bleach | PB | Low speed potentiometer |
| EF/L | Electro-Valve Cold Water / Wash | PL | Pure Wool |
| EF/P | Electro-Valve Cold Water / Prewash | PM | Motor Thermoprotector |
| ER | Exclude Heating Element | PR | Timer programmer |
| ET | Thermostat disactivation | PS | Drain pump |
| EV | Electrovalve | R | Heating element |
| EVA | Dryer electrovalve | RE | Relay |
| EVC | Hot water electrovalve | RR | Heating element |
| EVF | Elettrovalvola acqua fredda | RV | Speed regulator |
| EVL | Wash electrovalve | Ras/RA | Dryer heating element |
| EVP | Pre Wash electrovalve | S | LED |
| FA | Antijamming filter | SL | Line LED |
| FD | Delicate drying cycle thermostat | SO | Door LED |
| FE | Strong drying cycle thermostat | SR | Heating LED |
| FRT | Thermofusible Heating Element | ST | Temperature selector |
| I | Inverter | SV | Speed Selector for Spin |
| II...2...3.. | Switches/switching devices | T | Timer contacts |
| IA | Switch On/Off | TA | Drying timer contacts |
| IC | Switch N.C. - 1/2 Load | TB | Low Temperature Thermostat |
| ID | Switch display | TC | Spider wheel earth |
| IE | Water Saving Device | TFL | Flange earth |
| IF | Switch - Spin Reduction | TG | Main earth |
| IP | Door switch | TH | Thermostat |
| IR | Line switch | TH1 | 1st temperature thermostat |
| IS | Water-stop | TH2 | 2nd temperature thermostat |
| L | Line or Lamp | TH3 | 3rd temperature thermostat |
| LB | Low Level | THF | Operating thermostat |

| | | | |
|----------|-----------------------|-----|---------------------------|
| LN | Normal Level | THR | Adjustable thermostat |
| LS | Pilot lamp | TM | Motor earth |
| M | Earth-symbol | TMB | Main cabinet earth |
| MC | Spin cycle motor | TMP | Motor thermal protector |
| MI | MOTOR WITH PULLEY | TMS | Thermostop |
| ML | Wash cycle motor | TP | Thermal protector |
| MO | Terminal Board | TPS | Drain pump earth |
| MP | Door dip-switch | TR | Heating element earth |
| MR | Thermal Lock | TS | Safety thermostat |
| MT | Timer motor | TT | Timer earthing connection |
| MV | Motor fan | TTH | Earthing Thermostat |
| MV -Ras | Dryer heating element | TV | Tank earth |
| Mzbn/MTA | zbn timer motor | ZBN | Timer |

Electric schemes and links

Cod. 107111b



Legend

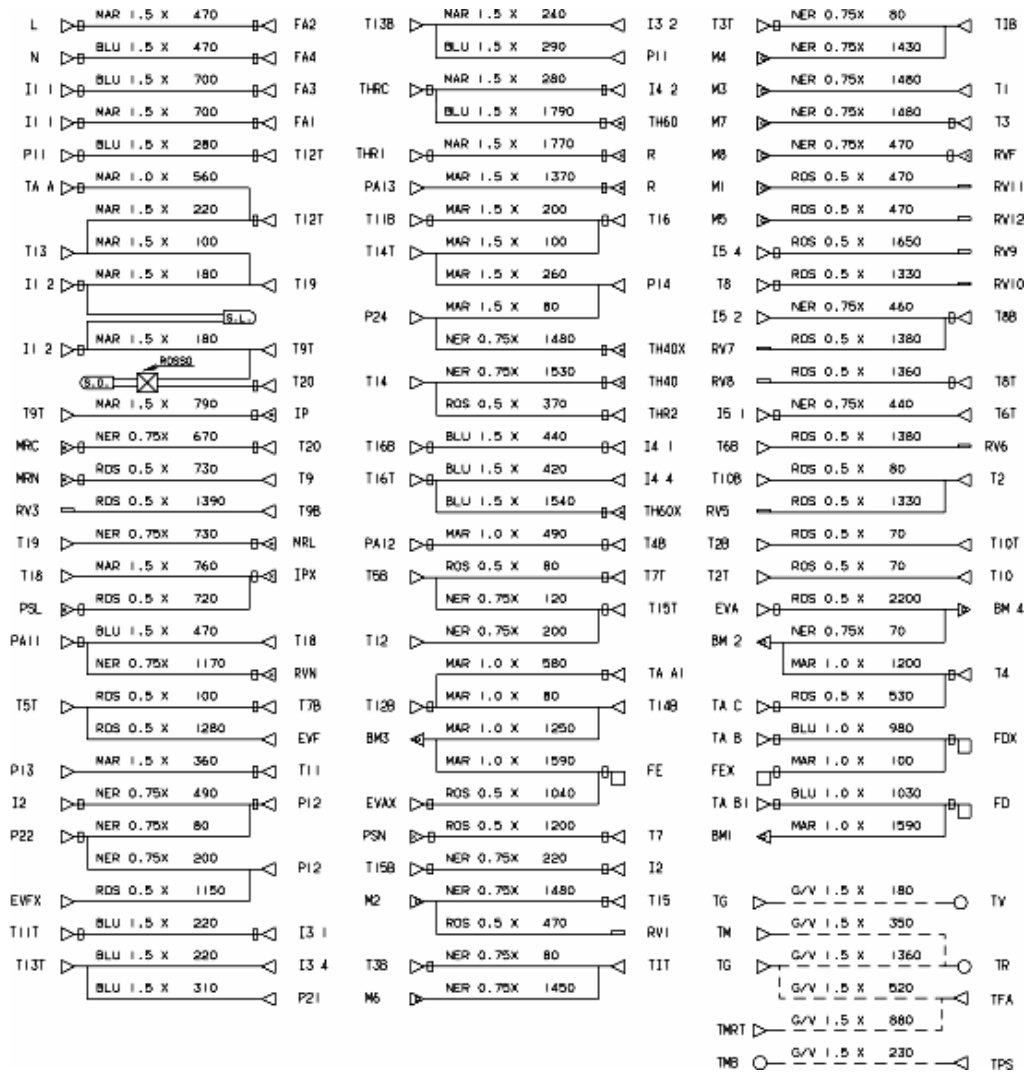
Legend: 107111b

| | | | |
|--------------|---|--------|-----------------------------------|
| B | Buzzer | N | Neutral or Terminal Board |
| BF | Terminal board contact, motor fan and dryer | NC | Spin cycle exclusion |
| BP | Buzzer | P | Pressure switch |
| C | Condensator | P1 | 1st level pressure cut-off switch |
| CA | Condensator | P2 | 2nd level pressure cut-off switch |
| DV | Switching device | PA | High speed potentiometer |
| EF/CL | Electro-Valve Cold Water / Bleach | PB | Low speed potentiometer |
| EF/L | Electro-Valve Cold Water / Wash | PL | Pure Wool |
| EF/P | Electro-Valve Cold Water / Prewash | PM | Motor Thermoprotector |
| ER | Exclude Heating Element | PR | Timer programmer |
| ET | Thermostat disactivation | PS | Drain pump |
| EV | Electrovalve | R | Heating element |
| EVA | Dryer electrovalve | RE | Relay |
| EVC | Hot water electrovalve | RR | Heating element |
| EVF | Elettrovalvola acqua fredda | RV | Speed regulator |
| EVL | Wash electrovalve | Ras/RA | Dryer heating element |
| EVP | Pre Wash electrovalve | S | LED |
| FA | Antijamming filter | SL | Line LED |
| FD | Delicate drying cycle thermostat | SO | Door LED |
| FE | Strong drying cycle thermostat | SR | Heating LED |
| FRT | Thermofusible Heating Element | ST | Temperature selector |
| I | Inverter | SV | Speed Selector for Spin |
| II...2...3.. | Switches/switching devices | T | Timer contacts |
| IA | Switch On/Off | TA | Drying timer contacts |
| IC | Switch N.C. - 1/2 Load | TB | Low Temperature Thermostat |
| ID | Switch display | TC | Spider wheel earth |
| IE | Water Saving Device | TFL | Flange earth |
| IF | Switch - Spin Reduction | TG | Main earth |
| IP | Door switch | TH | Thermostat |
| IR | Line switch | TH1 | 1st temperature thermostat |
| IS | Water-stop | TH2 | 2nd temperature thermostat |
| L | Line or Lamp | TH3 | 3rd temperature thermostat |
| LB | Low Level | THF | Operating thermostat |

| | | | |
|----------|-----------------------|-----|---------------------------|
| LN | Normal Level | THR | Adjustable thermostat |
| LS | Pilot lamp | TM | Motor earth |
| M | Earth-symbol | TMB | Main cabinet earth |
| MC | Spin cycle motor | TMP | Motor thermal protector |
| MI | MOTOR WITH PULLEY | TMS | Thermostop |
| ML | Wash cycle motor | TP | Thermal protector |
| MO | Terminal Board | TPS | Drain pump earth |
| MP | Door dip-switch | TR | Heating element earth |
| MR | Thermal Lock | TS | Safety thermostat |
| MT | Timer motor | TT | Timer earthing connection |
| MV | Motor fan | TTH | Earthing Thermostat |
| MV -Ras | Dryer heating element | TV | Tank earth |
| Mzbn/MTA | zbn timer motor | ZBN | Timer |

Electric schemes and links

Cod. 107111c



Legend

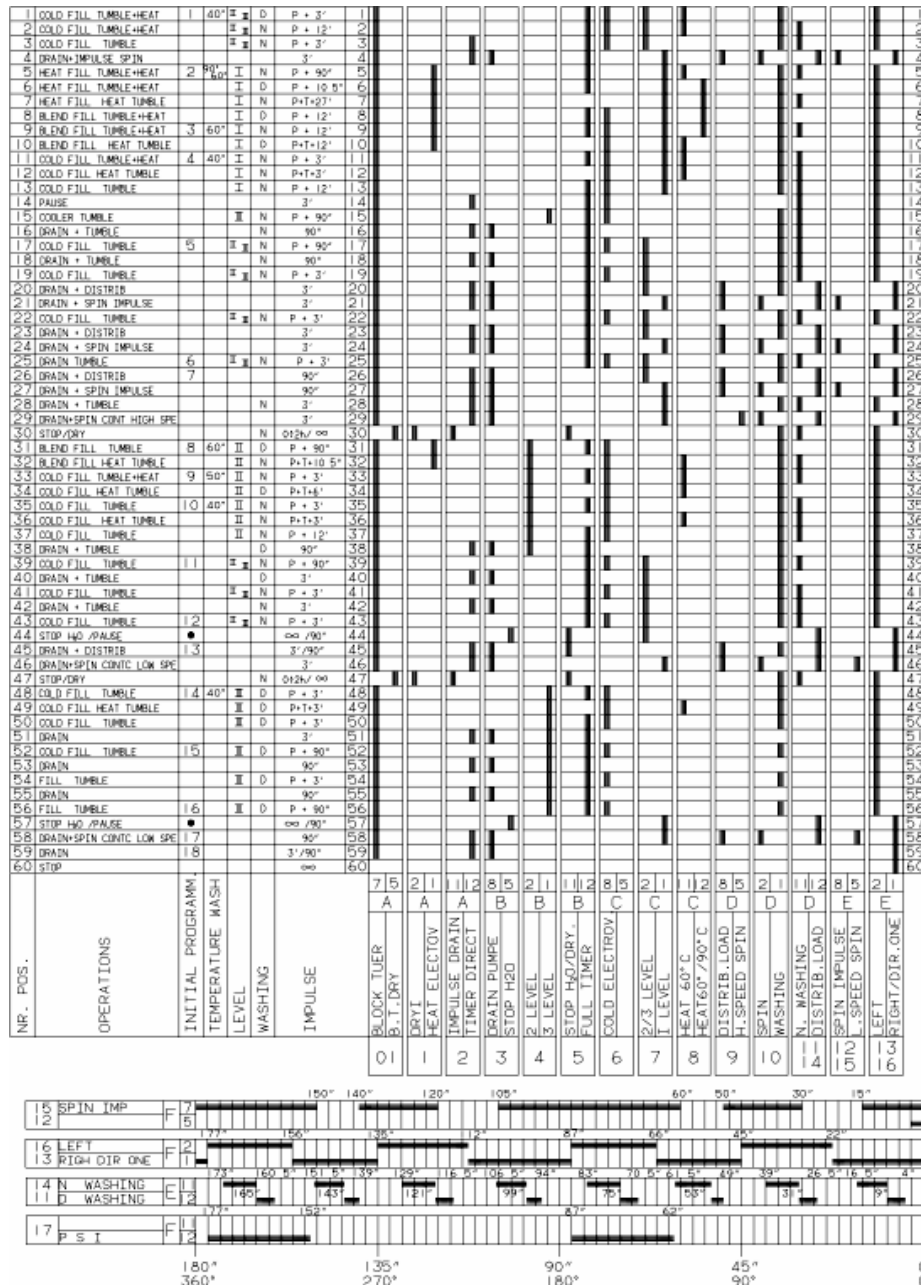
Legend: 107111c

| | | | |
|--------------|---|--------|-----------------------------------|
| B | Buzzer | N | Neutral or Terminal Board |
| BF | Terminal board contact, motor fan and dryer | NC | Spin cycle exclusion |
| BP | Buzzer | P | Pressure switch |
| C | Condensator | P1 | 1st level pressure cut-off switch |
| CA | Condensator | P2 | 2nd level pressure cut-off switch |
| DV | Switching device | PA | High speed potentiometer |
| EF/CL | Electro-Valve Cold Water / Bleach | PB | Low speed potentiometer |
| EF/L | Electro-Valve Cold Water / Wash | PL | Pure Wool |
| EF/P | Electro-Valve Cold Water / Prewash | PM | Motor Thermoprotector |
| ER | Exclude Heating Element | PR | Timer programmer |
| ET | Thermostat disactivation | PS | Drain pump |
| EV | Electrovalve | R | Heating element |
| EVA | Dryer electrovalve | RE | Relay |
| EVC | Hot water electrovalve | RR | Heating element |
| EVF | Elettrovalvola acqua fredda | RV | Speed regulator |
| EVL | Wash electrovalve | Ras/RA | Dryer heating element |
| EVP | Pre Wash electrovalve | S | LED |
| FA | Antijamming filter | SL | Line LED |
| FD | Delicate drying cycle thermostat | SO | Door LED |
| FE | Strong drying cycle thermostat | SR | Heating LED |
| FRT | Thermofusible Heating Element | ST | Temperature selector |
| I | Inverter | SV | Speed Selector for Spin |
| II...2...3.. | Switches/switching devices | T | Timer contacts |
| IA | Switch On/Off | TA | Drying timer contacts |
| IC | Switch N.C. - 1/2 Load | TB | Low Temperature Thermostat |
| ID | Switch display | TC | Spider wheel earth |
| IE | Water Saving Device | TFL | Flange earth |
| IF | Switch - Spin Reduction | TG | Main earth |
| IP | Door switch | TH | Thermostat |
| IR | Line switch | TH1 | 1st temperature thermostat |
| IS | Water-stop | TH2 | 2nd temperature thermostat |
| L | Line or Lamp | TH3 | 3rd temperature thermostat |
| LB | Low Level | THF | Operating thermostat |

| | | | |
|----------|-----------------------|-----|---------------------------|
| LN | Normal Level | THR | Adjustable thermostat |
| LS | Pilot lamp | TM | Motor earth |
| M | Earth-symbol | TMB | Main cabinet earth |
| MC | Spin cycle motor | TMP | Motor thermal protector |
| MI | MOTOR WITH PULLEY | TMS | Thermostop |
| ML | Wash cycle motor | TP | Thermal protector |
| MO | Terminal Board | TPS | Drain pump earth |
| MP | Door dip-switch | TR | Heating element earth |
| MR | Thermal Lock | TS | Safety thermostat |
| MT | Timer motor | TT | Timer earthing connection |
| MV | Motor fan | TTH | Earthing Thermostat |
| MV -Ras | Dryer heating element | TV | Tank earth |
| Mzbn/MTA | zbn timer motor | ZBN | Timer |

Electric schemes and links

Cod. 107141a



Legend

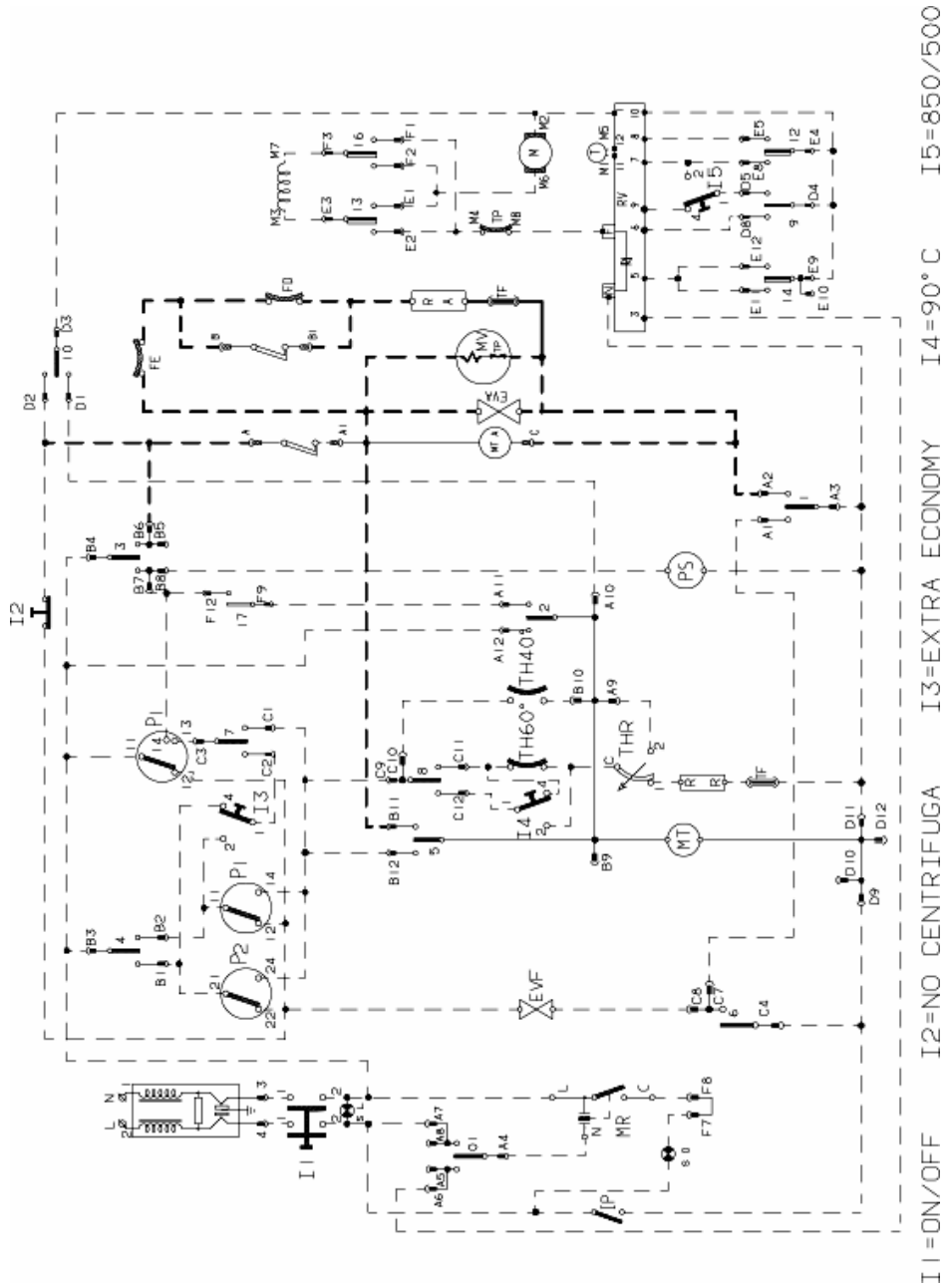
Legend: 107141a

| | | | |
|--------------|---|--------|-----------------------------------|
| B | Buzzer | N | Neutral or Terminal Board |
| BF | Terminal board contact, motor fan and dryer | NC | Spin cycle exclusion |
| BP | Buzzer | P | Pressure switch |
| C | Condensator | P1 | 1st level pressure cut-off switch |
| CA | Condensator | P2 | 2nd level pressure cut-off switch |
| DV | Switching device | PA | High speed potentiometer |
| EF/CL | Electro-Valve Cold Water / Bleach | PB | Low speed potentiometer |
| EF/L | Electro-Valve Cold Water / Wash | PL | Pure Wool |
| EF/P | Electro-Valve Cold Water / Prewash | PM | Motor Thermoprotector |
| ER | Exclude Heating Element | PR | Timer programmer |
| ET | Thermostat disactivation | PS | Drain pump |
| EV | Electrovalve | R | Heating element |
| EVA | Dryer electrovalve | RE | Relay |
| EVC | Hot water electrovalve | RR | Heating element |
| EVF | Elettrovalvola acqua fredda | RV | Speed regulator |
| EVL | Wash electrovalve | Ras/RA | Dryer heating element |
| EVP | Pre Wash electrovalve | S | LED |
| FA | Antijamming filter | SL | Line LED |
| FD | Delicate drying cycle thermostat | SO | Door LED |
| FE | Strong drying cycle thermostat | SR | Heating LED |
| FRT | Thermofusible Heating Element | ST | Temperature selector |
| I | Inverter | SV | Speed Selector for Spin |
| Il...2...3.. | Switches/switching devices | T | Timer contacts |
| IA | Switch On/Off | TA | Drying timer contacts |
| IC | Switch N.C. - 1/2 Load | TB | Low Temperature Thermostat |
| ID | Switch display | TC | Spider wheel earth |
| IE | Water Saving Device | TFL | Flange earth |
| IF | Switch - Spin Reduction | TG | Main earth |
| IP | Door switch | TH | Thermostat |
| IR | Line switch | TH1 | 1st temperature thermostat |
| IS | Water-stop | TH2 | 2nd temperature thermostat |
| L | Line or Lamp | TH3 | 3rd temperature thermostat |
| LB | Low Level | THF | Operating thermostat |

| | | | |
|----------|-----------------------|-----|---------------------------|
| LN | Normal Level | THR | Adjustable thermostat |
| LS | Pilot lamp | TM | Motor earth |
| M | Earth-symbol | TMB | Main cabinet earth |
| MC | Spin cycle motor | TMP | Motor thermal protector |
| MI | MOTOR WITH PULLEY | TMS | Thermostop |
| ML | Wash cycle motor | TP | Thermal protector |
| MO | Terminal Board | TPS | Drain pump earth |
| MP | Door dip-switch | TR | Heating element earth |
| MR | Thermal Lock | TS | Safety thermostat |
| MT | Timer motor | TT | Timer earthing connection |
| MV | Motor fan | TTH | Earthing Thermostat |
| MV -Ras | Dryer heating element | TV | Tank earth |
| Mzbn/MTA | zbn timer motor | ZBN | Timer |

Electric schemes and links

Cod. 107148b



Legend

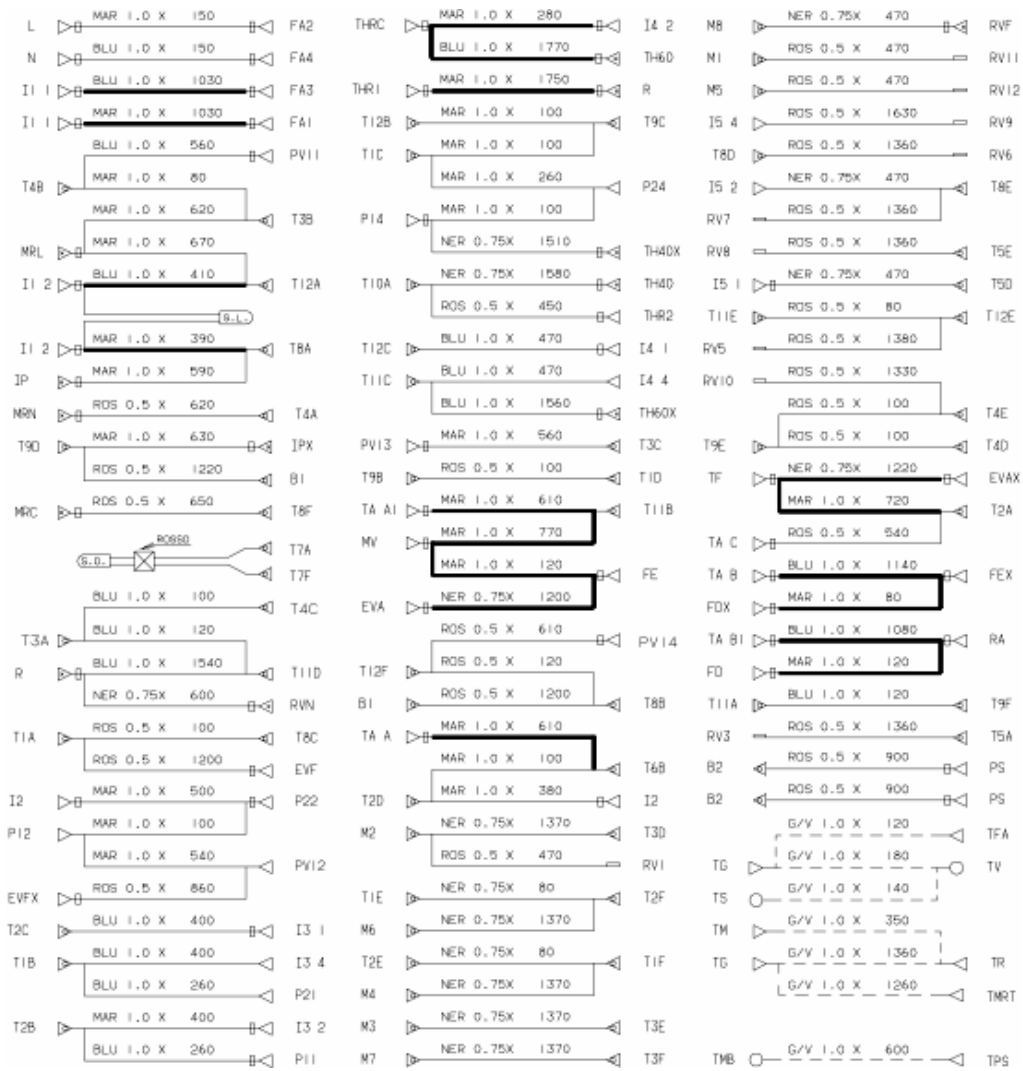
Legend: 107148b

| | | | |
|--------------|---|--------|-----------------------------------|
| B | Buzzer | N | Neutral or Terminal Board |
| BF | Terminal board contact, motor fan and dryer | NC | Spin cycle exclusion |
| BP | Buzzer | P | Pressure switch |
| C | Condensator | P1 | 1st level pressure cut-off switch |
| CA | Condensator | P2 | 2nd level pressure cut-off switch |
| DV | Switching device | PA | High speed potentiometer |
| EF/CL | Electro-Valve Cold Water / Bleach | PB | Low speed potentiometer |
| EF/L | Electro-Valve Cold Water / Wash | PL | Pure Wool |
| EF/P | Electro-Valve Cold Water / Prewash | PM | Motor Thermoprotector |
| ER | Exclude Heating Element | PR | Timer programmer |
| ET | Thermostat disactivation | PS | Drain pump |
| EV | Electrovalve | R | Heating element |
| EVA | Dryer electrovalve | RE | Relay |
| EVC | Hot water electrovalve | RR | Heating element |
| EVF | Elettrovalvola acqua fredda | RV | Speed regulator |
| EVL | Wash electrovalve | Ras/RA | Dryer heating element |
| EVP | Pre Wash electrovalve | S | LED |
| FA | Antijamming filter | SL | Line LED |
| FD | Delicate drying cycle thermostat | SO | Door LED |
| FE | Strong drying cycle thermostat | SR | Heating LED |
| FRT | Thermofusible Heating Element | ST | Temperature selector |
| I | Inverter | SV | Speed Selector for Spin |
| II...2...3.. | Switches/switching devices | T | Timer contacts |
| IA | Switch On/Off | TA | Drying timer contacts |
| IC | Switch N.C. - 1/2 Load | TB | Low Temperature Thermostat |
| ID | Switch display | TC | Spider wheel earth |
| IE | Water Saving Device | TFL | Flange earth |
| IF | Switch - Spin Reduction | TG | Main earth |
| IP | Door switch | TH | Thermostat |
| IR | Line switch | TH1 | 1st temperature thermostat |
| IS | Water-stop | TH2 | 2nd temperature thermostat |
| L | Line or Lamp | TH3 | 3rd temperature thermostat |
| LB | Low Level | THF | Operating thermostat |

| | | | |
|----------|-----------------------|-----|---------------------------|
| LN | Normal Level | THR | Adjustable thermostat |
| LS | Pilot lamp | TM | Motor earth |
| M | Earth-symbol | TMB | Main cabinet earth |
| MC | Spin cycle motor | TMP | Motor thermal protector |
| MI | MOTOR WITH PULLEY | TMS | Thermostop |
| ML | Wash cycle motor | TP | Thermal protector |
| MO | Terminal Board | TPS | Drain pump earth |
| MP | Door dip-switch | TR | Heating element earth |
| MR | Thermal Lock | TS | Safety thermostat |
| MT | Timer motor | TT | Timer earthing connection |
| MV | Motor fan | TTH | Earthing Thermostat |
| MV -Ras | Dryer heating element | TV | Tank earth |
| Mzbn/MTA | zbn timer motor | ZBN | Timer |

Electric schemes and links

Cod. 107148c



Legend

Legend: 107148c

| | | | |
|--------------|---|--------|-----------------------------------|
| B | Buzzer | N | Neutral or Terminal Board |
| BF | Terminal board contact, motor fan and dryer | NC | Spin cycle exclusion |
| BP | Buzzer | P | Pressure switch |
| C | Condensator | P1 | 1st level pressure cut-off switch |
| CA | Condensator | P2 | 2nd level pressure cut-off switch |
| DV | Switching device | PA | High speed potentiometer |
| EF/CL | Electro-Valve Cold Water / Bleach | PB | Low speed potentiometer |
| EF/L | Electro-Valve Cold Water / Wash | PL | Pure Wool |
| EF/P | Electro-Valve Cold Water / Prewash | PM | Motor Thermoprotector |
| ER | Exclude Heating Element | PR | Timer programmer |
| ET | Thermostat disactivation | PS | Drain pump |
| EV | Electrovalve | R | Heating element |
| EVA | Dryer electrovalve | RE | Relay |
| EVC | Hot water electrovalve | RR | Heating element |
| EVF | Elettrovalvola acqua fredda | RV | Speed regulator |
| EVL | Wash electrovalve | Ras/RA | Dryer heating element |
| EVP | Pre Wash electrovalve | S | LED |
| FA | Antijamming filter | SL | Line LED |
| FD | Delicate drying cycle thermostat | SO | Door LED |
| FE | Strong drying cycle thermostat | SR | Heating LED |
| FRT | Thermofusible Heating Element | ST | Temperature selector |
| I | Inverter | SV | Speed Selector for Spin |
| II...2...3.. | Switches/switching devices | T | Timer contacts |
| IA | Switch On/Off | TA | Drying timer contacts |
| IC | Switch N.C. - 1/2 Load | TB | Low Temperature Thermostat |
| ID | Switch display | TC | Spider wheel earth |
| IE | Water Saving Device | TFL | Flange earth |
| IF | Switch - Spin Reduction | TG | Main earth |
| IP | Door switch | TH | Thermostat |
| IR | Line switch | TH1 | 1st temperature thermostat |
| IS | Water-stop | TH2 | 2nd temperature thermostat |
| L | Line or Lamp | TH3 | 3rd temperature thermostat |
| LB | Low Level | THF | Operating thermostat |

| | | | |
|----------|-----------------------|-----|---------------------------|
| LN | Normal Level | THR | Adjustable thermostat |
| LS | Pilot lamp | TM | Motor earth |
| M | Earth-symbol | TMB | Main cabinet earth |
| MC | Spin cycle motor | TMP | Motor thermal protector |
| MI | MOTOR WITH PULLEY | TMS | Thermostop |
| ML | Wash cycle motor | TP | Thermal protector |
| MO | Terminal Board | TPS | Drain pump earth |
| MP | Door dip-switch | TR | Heating element earth |
| MR | Thermal Lock | TS | Safety thermostat |
| MT | Timer motor | TT | Timer earthing connection |
| MV | Motor fan | TTH | Earthing Thermostat |
| MV -Ras | Dryer heating element | TV | Tank earth |
| Mzbn/MTA | zbn timer motor | ZBN | Timer |